

# Roller chains with V-plate attachments

---

Roller chains with V-shape attachments convey cylindrical objects directly on the plate.



# Roller chains with V-plate attachments

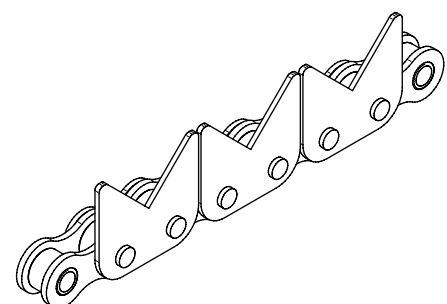
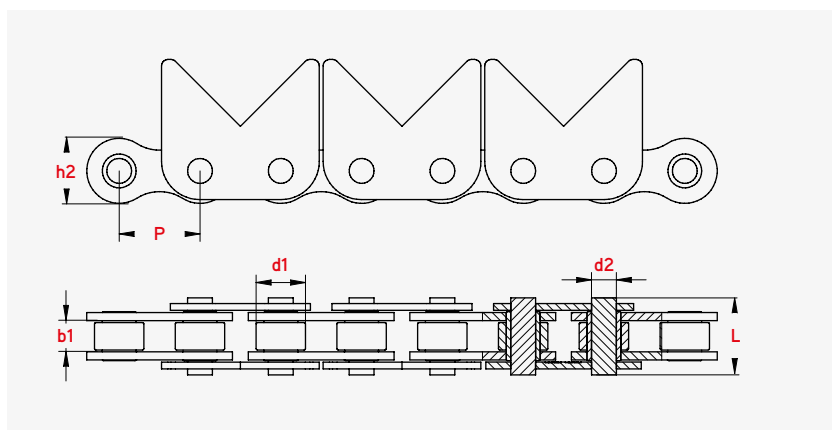
Roller chains with V-plate attachments convey cylindrical objects directly on the plate. Many assembled chains and components are stocked for quick delivery. Additional market standard and custom-made components can be supplied upon

request. V-shaped plates can be spaced as desired upon request.

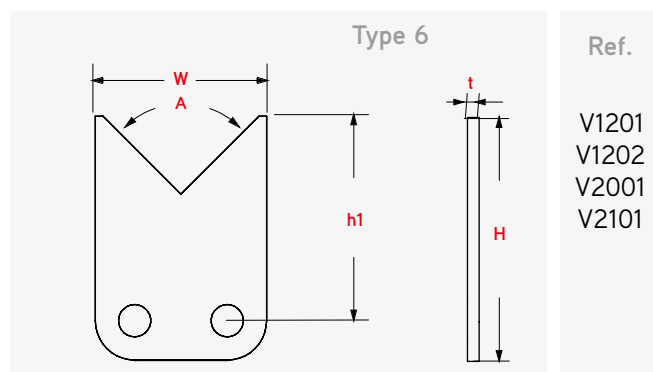
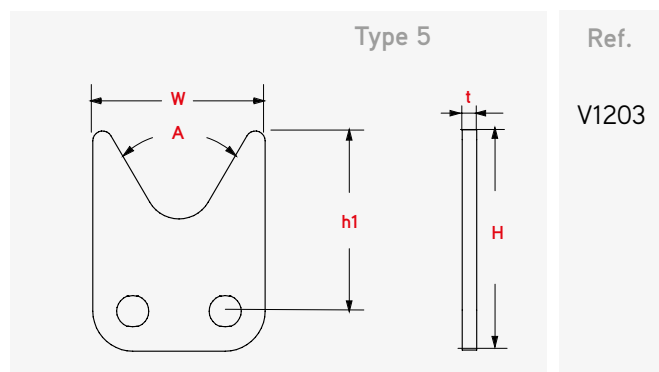
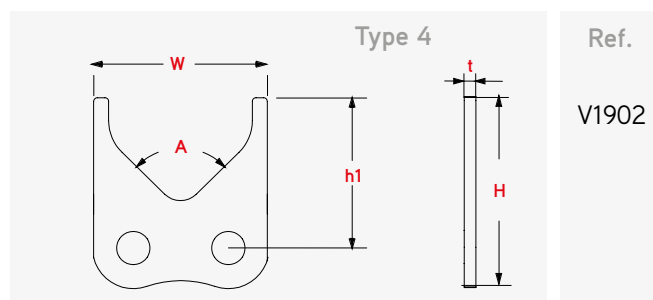
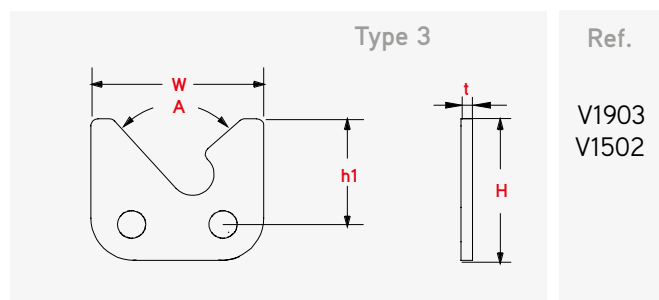
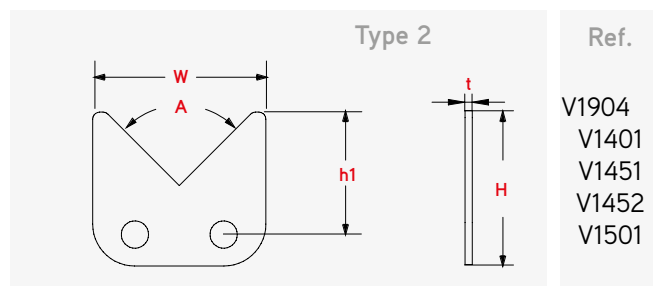
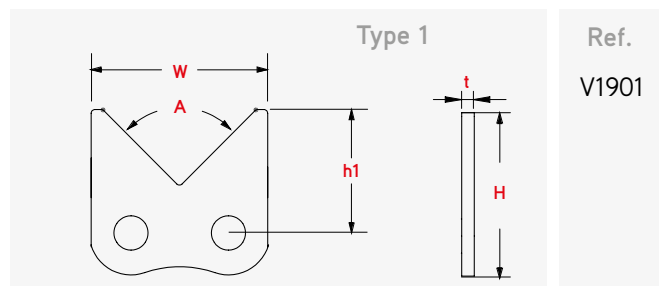
Available in nickel plated, delta tone, and stainless steel versions.

ISO SERIES				Pitch	Roller diameter	width between plates	Pin diameter	Pin length		Inner Plate height	V-PLATE DIMENSIONS				
											Plate height	Plate width	Plate thickness	V-angle	
DIN/ISO No.	Material	Attachment Type	Ref.	P mm	d1 max mm	b1 min mm	d2 max mm	L max mm	Lc max mm	h2 mm	H mm	h1 mm	W mm	t max mm	A °
06B-1	CS, DT, SS	Type 6	V1201	9,525	6,35	5,72	3,31	13,10	14,10	8,20	25,10	21,00	17,60	1,20	90
06B-1	CS, DT, SS	Type 6	V1202	9,525	6,35	5,72	3,31	13,10	14,10	8,20	18,50	14,50	17,53	1,15	90
06B-1	CS, DT, SS	Type 5	V1203	9,525	6,35	5,72	3,31	13,10	14,10	8,20	22,64	18,54	17,75	1,50	60
08B-1	CS, DT, SS	Type 1	V1901	12,700	8,51	7,75	4,45	16,80	18,20	12,00	21,98	16,00	23,00	1,55	90
08B-1	CS, DT, SS	Type 4	V1902	12,700	8,51	7,75	4,45	16,80	18,20	12,00	26,50	20,15	23,20	1,55	91
08B-1	CS, DT, SS	Type 3	V1903	12,700	8,51	7,75	4,45	16,80	18,20	12,00	20,15	15,05	24,00	1,55	90
08B-1	CS, DT, SS	Type 2	V1904	12,700	8,51	7,75	4,45	16,80	18,20	12,00	22,00	17,50	24,80	1,55	90
081-1	CS, DT, SS	Type 2	V1401	12,700	7,75	3,30	3,64	9,30	10,75	9,90	20,60	15,00	24,00	1,00	90
083-1	CS, DT, SS	Type 2	V1451	12,700	7,75	4,88	3,91	10,25	12,25	12,00	22,00	17,50	24,80	1,05	90
083-1	CS, DT, SS	Type 2	V1452	12,700	7,75	4,88	3,91	10,25	12,25	12,00	22,00	17,50	24,80	1,05	90
084-1	CS, DT, SS	Type 2	V1501	12,700	7,75	4,88	3,91	10,25	12,25	9,00	22,00	17,50	24,80	1,35	90
084-1	CS, DT, SS	Type 3	V1502	12,700	7,75	4,88	3,91	13,50	12,25	10,20	20,15	15,05	24,00	1,55	90
10B-1	CS, DT, SS	Type 6	V2001	15,875	10,16	9,70	5,08	19,50	20,90	14,70	38,00	31,65	29,00	1,60	80
12B-1	CS, DT, SS	Type 6	V2101	19,050	12,07	11,73	5,72	22,50	24,20	16,00	44,60	36,60	38,00	1,80	90

CS CARBON STEEL  
DT DELTA-TONE  
SS STAINLESS STEEL



## V-plate attachments



### SERVICES

Assembled chains **available in stock.**

**Specific product** on request.

V-plate attachments **distanced as required.**

**Chains of any length.**

**Matched pairs on request** for chains working in parallel.

**Technical assistance.**





[www.iris-chains.com](http://www.iris-chains.com)

SINCE  
**1935**

Polígono Ind. Erisono nº 1  
20600 Eibar (Guipuzcoa) España

T +34 943 120 550  
[iris@iris-chains.com](mailto:iris@iris-chains.com)