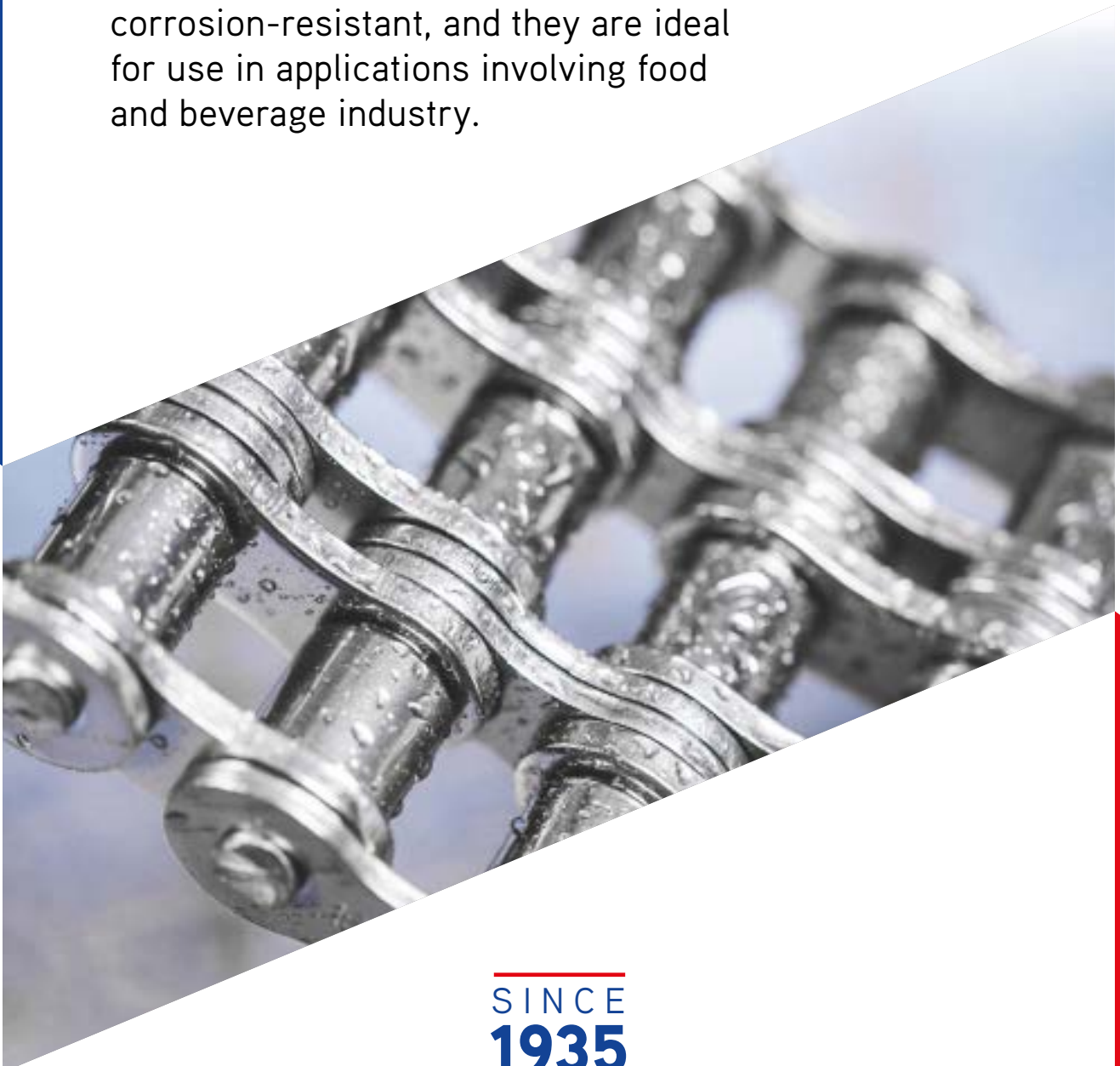


Corrosion resistant chains

The variety of models of stainless steel chains are reliable, fatigue and corrosion-resistant, and they are ideal for use in applications involving food and beverage industry.



Corrosion resistant chains



Electrolytic Nickel

Chains with nickel treatment are very successful on the market due to their attractive appearance. They look similar to stainless steel chains thanks to their smooth, shiny finish.

They have good corrosion resistance to petrol, oleic acid, alcohol, ethyl glycol, sugar and urea. There is a 15% reduction in Maximum Allowable Load compared to the corresponding BS chain.



Delta-Tone

Delta-Tone is a non-electrolytic coating with electrical conductivity and high temperature resistance. It has low friction values and high anti corrosion-protection.

It is made of zinc and aluminium sheets that are fixed on the steel surface by a chemical reaction. An indiffusible film is obtained, with a cathodic protective effect.



Delta-Seal

Delta-Seal coating provides high anti-corrosion resistance with reduced electrical conductivity. It greatly reduces the wear caused by the friction of metals.

It is an organic top-coat that does not cause hydrogen embrittlement. It provides resistance to organic solvents such as anti coolants and motor oil.



Delta-Protect

Delta-Protect ensures very high corrosion protection. It is a coating with a mixture of zinc and aluminum flakes which improves white corrosion protection. It admits treatments for improved protection to wear and chemicals.

This chain is suitable for use in environments exposed to seawater or even acid-rain. It does not contain any chemically hazardous substances as regulated by RoHS.



304 SS Series

304 SS Series has excellent resistance to corrosion and extreme temperatures. This steel can withstand operating temperatures up to 400 °C with special lubrication.

Made completely of 304 stainless steel (austenitic non-magnetic steel). It's non-magnetic, although some permeability can be found.



600 AS Series

AISI 600 is an excellent choice for drives requiring both corrosion resistance and high mechanical resistance.

AISI 600 hardened by precipitation (PH) stainless steel is used in particular on rounded parts (pins, rollers and bushes). Link plates are made of 304 stainless steel. Magnetic steels.



316 SS Series

316 SS Series is the most corrosion resistant standard steel chain. It has also the highest resistance to extreme temperatures.

SS series are made completely of 316 stainless steel. It's our non-magnetic chain, because of its extremely low magnetic permeability.



Poly-Steel Series

Poly-Steel has a superior wear life, excellent corrosion resistance, and requires no lubrication. This design provides an economical, lightweight and quiet chain for certain difficult applications.

It is made of moulded engineering plastic with 304 stainless steel pin links. Is 5dB quieter than standard RS Roller Chain, and 50% lighter. (in-house testing)

Corrosion resistance	Corrosion-resistance up to 70-100 hours.	Corrosion-resistance up to 500-1000 hours.	Corrosion-resistance up to 500 - 1000 hours.	Corrosion-resistance up to 600 - 1100 hours.
Temperature resistance	-10°C to +60°C.	Up to 150°C	Up to 120°C	-10°C to +150°C. Above +60°C lubrication is required
Magnetism	Magnetic	Magnetic	Magnetic	Magnetic
Wear resistance	Good	Good	Excellent	Good

Corrosion resistance	Good for general acid, alkalic and water	Good for general acid, alkalic and water	Superior to 340SS and 600 SS	The polyacetal has an excellent resistance.
Temperature resistance	-40°C to +400°C (never use below 160° or over 700°)	-40°C to +400°C (never use over 500°)	-40°C to +400°C (never use below 250° or over 800°)	-20°C to +80°C (never use below 250° or over 800°)
Magnetism	Slightly magnetic	Magnetic	Non-magnetic	Non-magnetic
Wear resistance	Good	Excellent	Good	Excellent

SERVICES

References **available in stock.**

Standard attachments chains in 48 h.

Specific product on request.

Matched pairs on request for chains working in parallel.

Chains of any length.

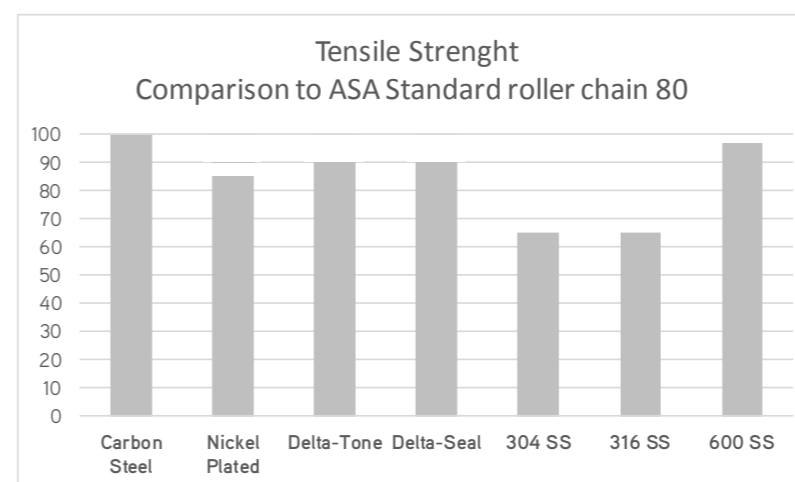
Special lubricants available.

Technical assistance.

The variety of models of stainless steel chains, are reliable, fatigue and corrosion-resistant, and they are ideal for use in applications involving food and beverage industry.

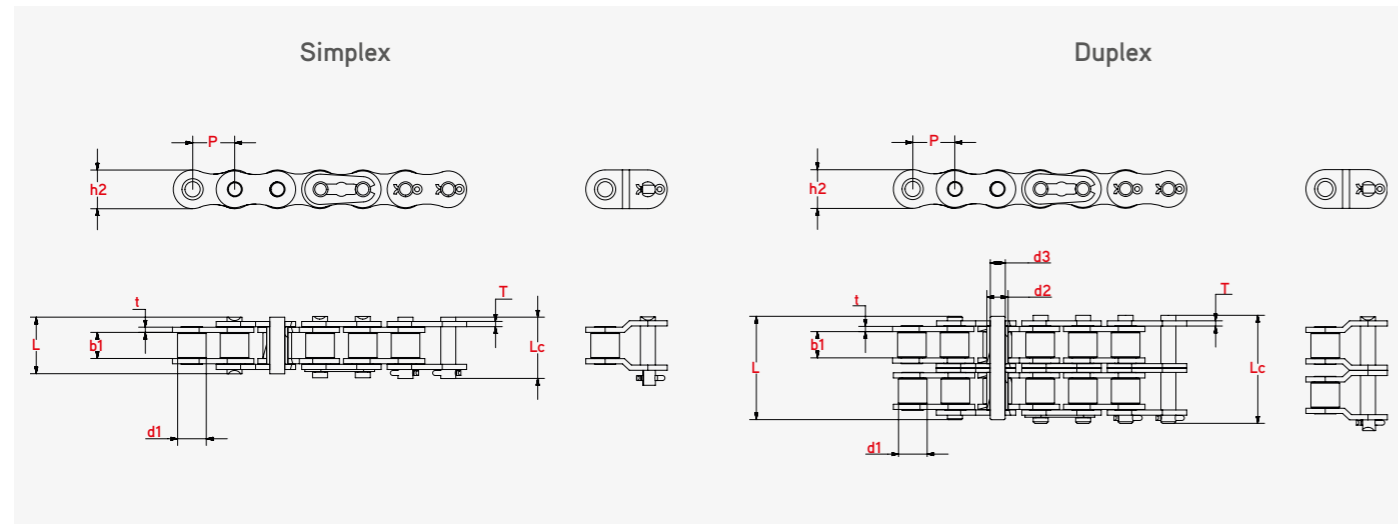
For permanent corrosion resistance, a regular lubrication is necessary.

Nickel plated and Delta-Seal might be the right solution for medium corrosive environments.



Nickel plated and Delta seal chains show as much strength as the standard carbon steel chains.

ISO Series Corrosion resistant chains ISO 606

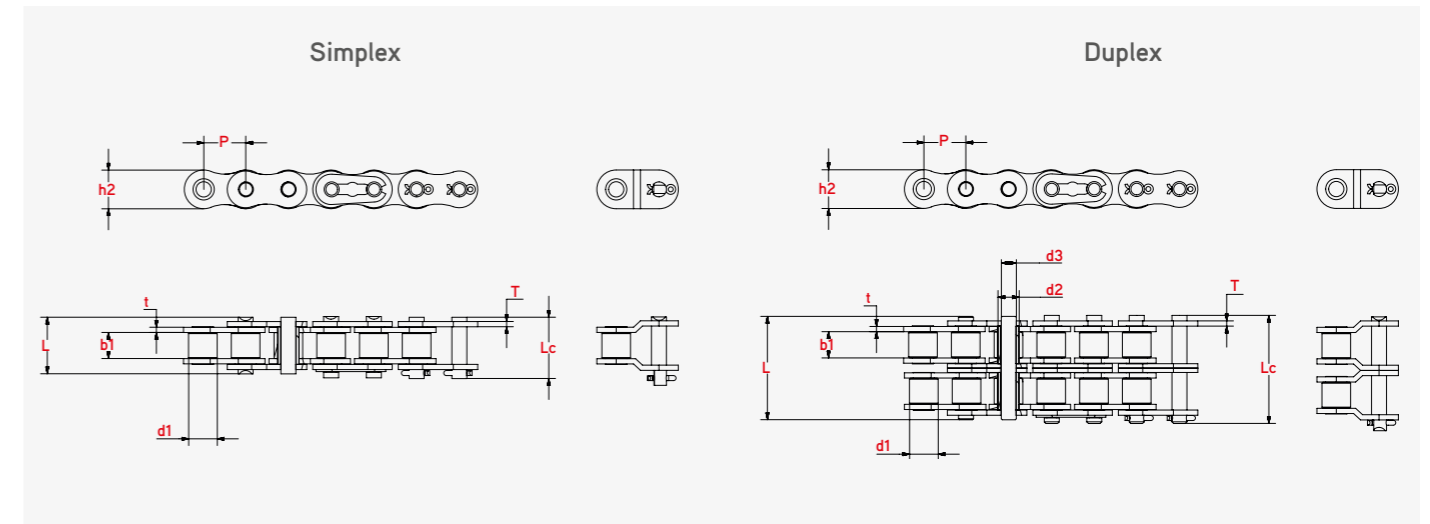


DIN/ISO No.	Material	Pitch	Roller diameter	Width between plates	Pin diameter	Pin length		Inner Plate depth	Plate thickness	Minimum Tensile strength	Weight per meter
		P mm	d1 max mm	b1 min mm	d2 max mm	L max mm	Lc max mm	h2 max mm	t/T max mm	Q min KN	q kg/m
SIMPLEX											
04B-1	CS, NP, DT, SS	6,00	4,00	2,80	1,85	6,80	7,80	5,00	0,60	3,00	0,11
05B-1	CS, NP, DT, SS	8,00	5,00	3,00	2,31	8,20	8,90	7,10	0,80	5,00	0,20
*06B-1	CS, NP, DT, SS	9,525	6,35	5,72	3,28	13,15	14,10	8,20	1,30	9,00	0,41
08B-1	CS, NP, DT, SS	12,70	8,51	7,75	4,45	16,70	18,20	11,80	1,60	18,00	0,69
10B-1	CS, NP, DT, SS	15,875	10,16	9,65	5,08	19,50	20,90	14,70	1,70	22,40	0,93
12B-1	CS, NP, DT, SS	19,05	12,07	11,68	5,72	22,50	24,20	16,00	1,85	29,00	1,15
16B-1	CS, NP, DT, SS	25,40	15,88	17,02	8,28	36,10	37,40	21,00	4,15/3,1	60,00	2,71
20B-1	CS, NP, DT, SS	31,75	19,05	19,56	10,19	41,30	45,00	26,40	4,5/3,5	95,00	3,70
24B-1	CS, DT, SS	38,10	25,40	25,40	14,63	53,40	57,80	33,20	6,0/4,8	160,00	7,10
28B-1	CS, DT, SS	44,45	27,94	30,99	15,90	65,10	69,50	36,70	7,5/6,0	200,00	8,50
DUPLEX											
05B-2	CS, NP, DT, SS	8,00	5,00	3,00	2,31	13,90	14,50	7,10	0,80	7,80	0,33
*06B-2	CS, NP, DT, SS	9,525	6,35	5,72	3,28	23,40	24,40	8,20	1,30	16,90	0,77
08B-2	CS, NP, DT, SS	12,70	8,51	7,75	4,45	31,20	32,20	11,80	1,60	32,00	1,34
10B-2	CS, NP, DT, SS	15,875	10,16	9,65	5,08	36,10	37,50	14,70	1,70	44,50	1,84
12B-2	CS, NP, DT, SS	19,05	12,07	11,68	5,72	42,00	43,60	16,00	1,85	57,80	2,31
16B-2	CS, NP, DT, SS	25,40	15,88	17,02	8,28	68,00	69,30	21,00	4,15/3,1	106,00	5,42
20B-2	CS, NP, DT, SS	31,75	19,05	19,56	10,19	77,80	81,50	26,40	4,5/3,5	170,00	7,20
24B-2	CS, DT, SS	38,10	25,40	25,40	14,63	101,70	106,20	33,20	6,0/4,8	280,00	13,40
28B-2	CS, DT, SS	44,45	27,94	30,99	15,90	124,60	129,10	36,70	7,5/6,0	360,00	16,60
TRIPLEX											
05B-3	CS, NP, DT, SS	8,00	5,00	3,00	2,31	19,50	20,20	7,10	0,80	11,10	0,48
*06B-3	CS, NP, DT, SS	9,525	6,35	5,72	3,28	33,50	34,60	8,20	1,30	24,90	1,16
08B-3	CS, NP, DT, SS	12,70	8,51	7,75	4,45	45,10	46,10	11,80	1,60	47,50	2,03
10B-3	CS, NP, DT, SS	15,875	10,16	9,65	5,08	52,70	54,10	14,70	1,70	66,70	2,77
12B-3	CS, NP, DT, SS	19,05	12,07	11,68	5,72	61,50	63,10	16,00	1,85	86,70	3,46
16B-3	CS, NP, DT, SS	25,40	15,88	17,02	8,28	99,80	101,20	21,00	4,15/3,1	160,00	8,13
20B-3	CS, NP, DT, SS	31,75	19,05	19,56	10,19	114,20	117,90	26,40	4,5/3,5	250,00	10,82
24B-3	CS, DT, SS	38,10	25,40	25,40	14,63	150,10	154,60	33,20	6,0/4,8	425,00	20,10
28B-3	CS, DT, SS	44,45	27,94	30,99	15,90	184,20	188,70	36,70	7,5/6,0	530,00	24,92

CS CARBON STEEL
DT DELTA-TONE
NP NICKELLED PLATED
SS STAINLESS STEEL

* Straight side plates.

ASA Series Corrosion resistant chains ISO 606



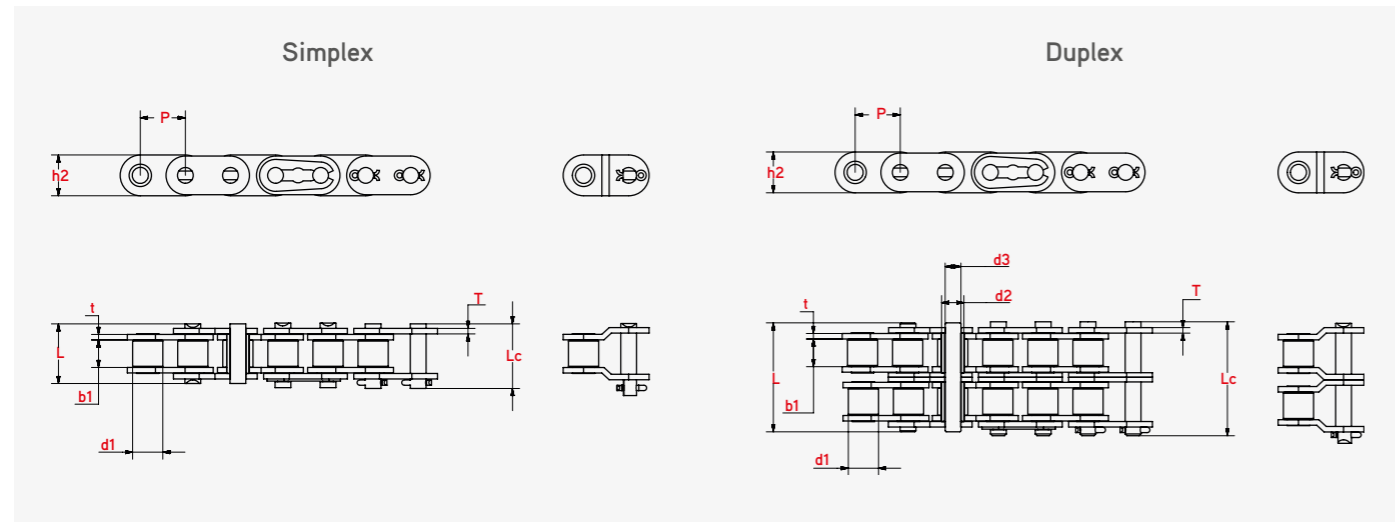
DIN/ISO No.	ANSI No.	Material	Pitch	Roller diameter	Width between plates	Pin diameter	Pin length		Inner Plate depth	Plate thickness	Minimum Tensile strength	Weight per meter
			P mm	d1 max mm	b1 min mm	d2 max mm	L max mm	Lc max mm	h2 max mm	t/T max mm	Q min KN	q kg/m
SIMPLEX												
*04A-1	*25	CS, DT, SS	6,35	3,30	3,18	2,31	7,90	8,40	6,00	0,80	3,50	0,15
*06A-1	*35	CS, DT, SS	9,525	5,08	4,77	3,58	12,40	13,17	9,00	1,30	7,90	0,33
08A-1	40	CS, DT, SS	12,70	7,95	7,85	3,96	16,60	17,80	12,00	1,50	14,10	0,62
10A-1	50	CS, DT, SS	15,875	10,16	9,40	5,08	20,70	22,20	15,09	2,03	22,20	1,02
12A-1	60	CS, DT, SS	19,05	11,91	12,57	5,94	25,90	27,70	18,00	2,42	31,80	1,50
16A-1	80	CS, DT, SS	25,40	15,88	15,75	7,92	32,70	35,00	24,00	3,25	56,70	2,60
20A-1	100	CS, DT, SS	31,75	19,05	18,90	9,53	40,40	44,70	30,00	4,00	88,50	3,91
24A-1	120	CS, DT, SS	38,10	22,23	25,22	11,10	50,30	54,30	35,70	4,80	127,00	5,62
DUPLEX												
*04A-2	*25-2	CS, DT, SS	6,35	3,30	3,18	2,31	14,50	15,00	6,00	0,80	7,00	0,28
*06A-2	*35-2	CS, DT, SS	9,525	5,08	4,77	3,58	22,50	23,30	9,00	1,30	15,80	0,63
08A-2	40-2	CS, DT, SS	12,70	7,95	7,85	3,96	31,00	32,20	12,00	1,50	28,20	1,12
10A-2	50-2	CS, DT, SS	15,875	10,16	9,40	5,08	38,90	40,40	15,09	2,03	44,40	2,00
12A-2	60-2	CS, DT, SS	19,05	11,91	12,57	5,94	48,80	50,50	18,00	2,42	63,60	2,92
16A-2	80-2	CS, DT, SS	25,40	15,88	15,75	7,92	62,70	64,30	24,00	3,25	113,40	5,15
20A-2	100-2	CS, DT, SS	31,75	19,05	18,90	9,53	76,40	80,50	30,00	4,00	177,00	7,80
24A-2	120-2	CS, DT, SS	38,10	22,23	25,22	11,10	95,80	99,70	35,70	4,80	254,00	11,70
TRIPLEX												
*04A-3	*25-3	CS, DT, SS	6,35	3,30	3,18	2,31	21,00	21,50	6,00	0,80	10,50	0,44
*06A-3	*35-3	CS, DT, SS	9,525	5,08	4,77	3,58	32,70	33,50	9,00	1,30	23,70	1,05
08A-3	40-3	CS, DT, SS	12,70	7,95	7,85	3,96	45,40	46,60	12,00	1,50	42,30	1,90
10A-3	50-3	CS, DT, SS	15,875	10,16	9,40	5,08	57,00	58,50	15,09	2,03	66,60	3,09
12A-3	60-3	CS, DT, SS	19,05	11,91	12,57	5,94	71,50	73,30	18,00	2,42	95,40	4,54
16A-3	80-3	CS, DT, SS	25,40	15,88	15,75	7,92	91,70	93,60	24,00	3,25	170,10	7,89
20A-3	100-3	CS, DT, SS	31,75	19,05	18,90	9,53	112,20	116,30	30,00	4,00	265,50	11,77
24A-3	120-3	CS, DT, SS	38,10	22,23	25,22	11,10	141,40	145,20	35,70	4,80	381,00	17,53

* Bushing chain: d1 indicates the external diameter of the bush..

CS CARBON STEEL
DT DELTA-TONE
NP NICKELLED PLATED
SS STAINLESS STEEL

ISO Series Stainless steel chains ISO 606

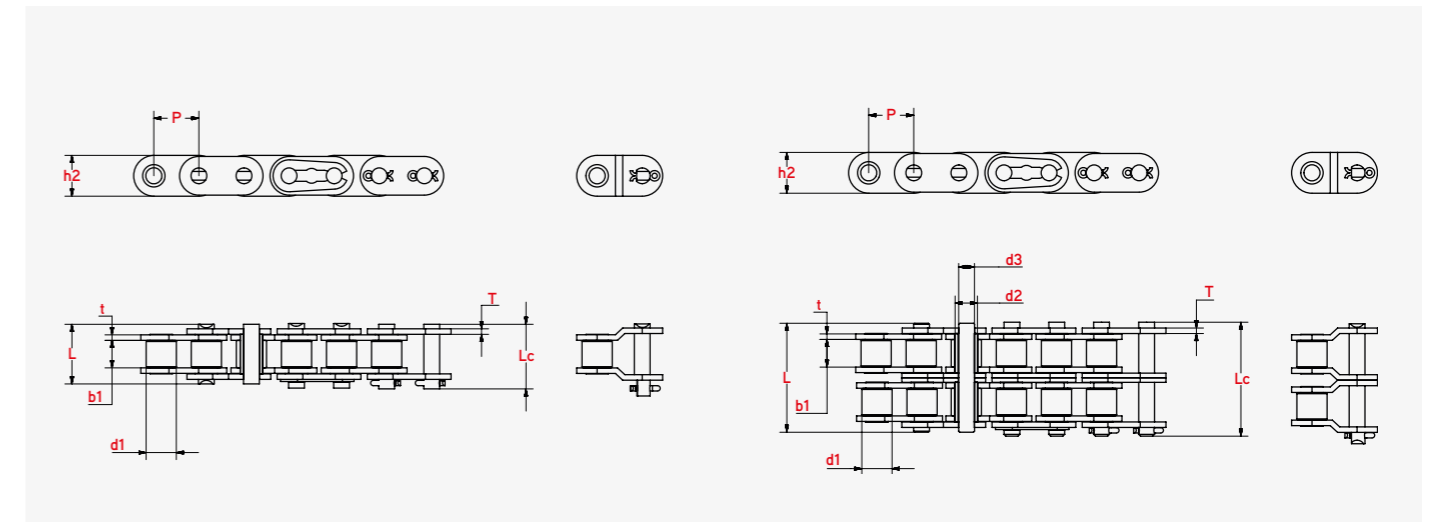
with Straight Side Plates



	Pitch	Roller diameter	Width between plates	Pin diameter	Pin length	Inner Plate depth	Plate thickness	Minimum Tensile strength	Weight per meter
DIN/ISO No.	P mm	d1 max mm	b1 min mm	d2 max mm	L max mm	h2 max mm	t/T max mm	Q min KN	q kg/m
SIMPLEX									
C08BSS-1	12,70	8,51	7,75	4,45	16,70	11,80	1,60	12,0/2698	0,80
C10BSS-1	15,875	10,16	9,65	5,08	19,50	14,70	1,70	14,5/3260	1,07
C12BSS-1	19,05	12,07	11,68	5,72	22,50	16,00	1,85	18,5/4159	1,32
C16BSS-1	25,40	15,88	17,02	8,28	36,10	21,00	4,15/3,10	40,0/8992	2,92
C20BSS-1	31,75	19,05	19,56	10,19	41,30	26,40	4,50/3,50	59,0/13264	4,41
C24BSS-1	38,10	25,40	25,40	14,63	53,40	33,20	6,00/4,80	104,0/23380	7,47
C28BSS-1	44,45	27,94	30,99	15,90	65,10	26,70	7,50/6,00	120,0/26976	9,90
C32BSS-1	50,80	29,21	30,99	17,81	66,00	42,00	7,00/6,00	150,0/33720	10,45
DUPLEX									
C08BSS-2	12,70	8,51	7,75	4,45	31,00	11,80	1,60	21,0/4721	1,58
C10BSS-2	15,875	10,16	9,65	5,08	36,10	14,70	1,70	29,1/16542	2,49
C12BSS-2	19,05	12,07	11,68	5,72	42,00	16,00	1,85	37,0/8318	2,62
C16BSS-2	25,40	15,88	17,02	8,28	68,00	21,00	4,15/3,10	70,7/15894	5,76
C20BSS-2	31,75	19,05	19,56	10,19	77,80	26,40	4,50/3,50	105,6/23740	8,72
C24BSS-2	38,10	25,40	25,40	14,63	101,70	33,20	6,00/4,8	182,0/40915	14,98
C28BSS-2	44,45	27,94	30,99	15,90	124,60	36,70	7,50/6,00	216,0/48557	19,82
C32BSS-2	50,80	29,21	30,99	17,81	124,70	42,00	7,00/6,00	270,0/60696	20,94
TRIPLEX									
C08BSS-3	12,70	8,51	7,75	4,45	45,10	11,80	1,60	30,0/6744	2,36
C10BSS-3	15,875	10,16	9,65	5,08	52,70	14,70	1,70	43,6/9802	2,92
C12BSS-3	19,05	12,07	11,68	5,72	61,50	16,00	1,85	55,5/12477	3,89
C16BSS-3	25,40	15,88	17,02	8,28	99,80	21,00	4,15/3,10	106,7/23830	8,62
C20BSS-3	31,75	19,05	19,56	10,19	114,20	26,40	4,50/3,50	155,3/34913	13,03
C24BSS-3	38,10	25,40	25,40	14,63	150,10	33,20	6,00/4,80	276,3/62115	22,10
C28BSS-3	44,45	27,94	30,99	15,90	184,20	36,70	7,50/6,00	318,0/71486	29,64
C32BSS-3	50,80	29,21	30,99	17,81	183,20	42,00	7,00/6,00	402,0/90370	31,27

ASA Series Stainless steel chains ISO 606

with Straight Side Plates



		Pitch	Roller diameter	Width between plates	Pin diameter	Pin length	Inner Plate depth	Plate thickness	Minimum Tensile strength	Weight per meter
DIN/ISO No.	ANSI No.	P mm	d1 max mm	b1 min mm	d2 max mm	L max mm	h2 max mm	t/T max mm	Q min KN	q kg/m
SIMPLEX										
C08ASS-1	C40SS	12,70	7,95	7,85	3,96	16,60	12,00	1,50	9,80	0,75
C10ASS-1	C50SS	15,875	10,16	9,40	5,08	20,70	15,09	2,03	16,20	1,21
C12ASS-1	C60SS	19,05	11,91	12,57	5,94	25,90	18,00	2,42	21,00	1,79
C16ASS-1	C80SS	25,40	15,88	15,75	7,92	32,70	24,00	3,25	36,00	3,09
C20ASS-1	C100SS	31,75	19,05	18,90	9,53	40,40	30,00	4,00	58,90	4,55
C24ASS-1	C120SS	38,10	22,23	25,22	11,10	50,30	35,70	4,80	92,80	6,86
DUPLEX										
C08ASS-2	C40SS	12,70	12,70	7,85	3,96	31,00	12,00	1,50	21,20	1,50
C10ASS-2	C50SS	15,875	15,875	9,40	5,08	38,90	15,09	2,03	32,04	2,40
C12ASS-2	C60SS	19,05	19,05	12,57	5,94	48,80	18,00	2,42	48,07	3,62
C16ASS-2	C80SS	25,40	25,40	15,75	7,92	62,70	24,00	3,25	86,50	6,12
C20ASS-2	C100SS	31,75	31,75	18,90	9,53	76,40	30,00	4,00	123,40	9,10
C24ASS-2	C120SS	38,10	38,10	25,22	11,10	95,80	35,70	4,80	180,30	13,60
TRIPLEX										
C08ASS-3	C40SS	12,70	12,70	7,85	3,96	45,40	12,00	1,50	30,00	2,30
C10ASS-3	C50SS	15,875	15,875	9,40	5,08	57,00	15,09	2,03	57,10	3,30
C12ASS-3	C60SS	19,05	19,05	12,57	5,94	71,50	18,00	2,42	69,30	5,40
C16ASS-3	C80SS	25,40	25,40	15,75	7,92	91,70	24,00	3,25	130,50	9,10
C20ASS-3	C100SS	31,75	31,75	18,90	9,53	112,20	30,00	4,00	169,60	13,56
C24ASS-3	C120SS	38,10	38,10	25,22	11,10	141,40	35,70	4,80	262,30	20,43

Poly-Steel Series chains

Poly-Steel chains are ideal for applications in environments with high hygiene requirements or exposed to corrosive agents or humid conditions. Their corrosion resistance enhances the performance and productivity of the application.

The combination of moulded engineering plastic with stainless steel pins provides a chain that is both quiet and considerably lighter in weight.

SERVICES

References **available in stock.**

Standard attachments chains in 48 h.

Specific product on request.

Matched pairs on request for chains working in parallel.

Chains of any length.

Special lubricants available.

Technical assistance.

HIGHLIGHTS

- ✓ Longer operating life due to wear resistance.
- ✓ Eases and reduces maintenance work.
- ✓ No lubrication necessary, environmentally-friendly solution.
- ✓ Reduces noise significantly.
- ✓ Operating temperature range: -20°C to + 80°C

INDUSTRIES

- ✓ Food and beverages
- ✓ Pharmaceutical and medical
- ✓ Packaging applications
- ✓ Conveyor systems
- ✓ Electronics
- ✓ Many more applications



DIN/ISO No.	Pitch P mm	Roller diameter d1 max mm	Width between plates b1 min mm	Pin diameter d2 max mm	Pin length L max mm	Inner Plate depth h2 max mm	Plate thickness t/T max mm	Minimum Tensile strength Q min KN	Weight per meter q kg/m
08B-1 SS PL	12,70	8,51	7,75	4,45	16,70	11,80	1,50	12,20	0,82
10B-1 SS PL	15,875	10,16	9,65	5,08	19,50	14,70	1,60	16,20	1,07
12B-1 SS PL	19,05	12,07	11,68	5,72	22,50	16,00	1,80	17,70	1,33
16B-1 SS PL	25,40	15,88	17,02	8,28	36,10	21,00	4,0/3,0	46,70	3,10

