

# Maintenance-free chains

---

The most efficient solutions  
for your industrial drive system.



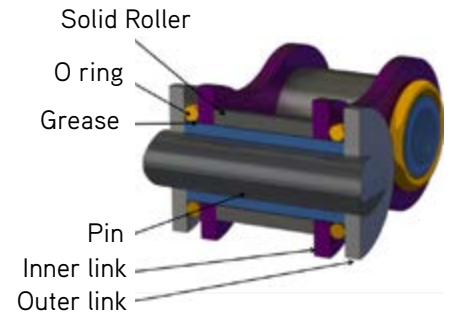
SINCE  
**1935**

# IRIS O-ring chains

From industrial to agriculture, O-ring chain is the greatest upgrade for a large range of applications. This chain was traditionally used in the Motorcycle chain applications, but customers are now realising the true benefits

of the O-Ring chain design in industrial application as they become more competitively priced against the benefits they provide.

O-ring chain can last up to 10 times longer than standard roller chains.



## HIGHLIGHTS

- ✓ Chain stretches reduced by a pre-stressed and pre-stretched test.
- ✓ O-Ring chains keep damaging external elements out.
- ✓ Average tensile strength of 7,560 lbs.

## INDUSTRIES

- ✓ Mechanical Engineering
- ✓ Agricultural Industry
- ✓ Food Industry

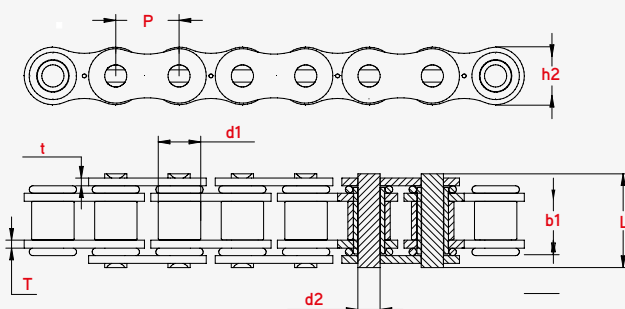
### O-Ring Roller Chains

#### ISO SERIES

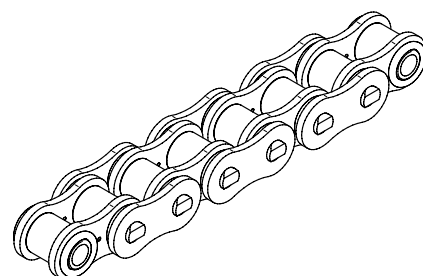
DIN/ISO No.	Material	Pitch P mm	Roller diameter d1 max mm	Width between Plates b1 min mm	Pin diameter d2 max mm	Pin length L max mm   Lc max mm		Inner Plate height h2 max mm	Plate thickness T max mm	Minimum Tensile Strength Q min KN	Half Tensile Strength Qo KN	Weight per meter q kg/m
08B-1 OR	CS, NP, SS	12,70	8,50	7,80	4,45	18,80	19,90	11,80	1,55	8,0	20,10	0,74
10B-1 OR	CS, NP, SS	15,87	10,16	9,70	5,08	21,40	22,95	14,15	1,60	22,4	28,50	0,99
12B-1 OR	CS, NP, SS	19,05	12,07	11,73	5,72	24,40	26,30	16,00	1,80	29,0	33,30	1,27
16B-1 OR	CS, NP, SS	25,40	15,88	17,02	8,26	38,90	41,30	20,30	4,0/3,0	60,0	73,90	2,78
20B-1 OR	CS, NP, SS	31,75	19,05	19,65	10,15	44,50	48,50	26,40	4,5/3,5	95,0	107,40	3,78
<b>Reinforced (H) and Super-reinforced (SH)</b>												
8B-1 OR H (428H)	CS, NP, SS	12,70	8,50	7,80	4,45	21,90	23,20	12,00	2,05	8,0	20,10	0,82
8B-1 OR SH (428SH)	CS, NP, SS	12,70	8,50	7,80	4,45	21,90	23,20	12,00	2,05	8,0	20,10	0,90
10B-1 OR H	CS, NP, SS	15,875	10,16	9,40	5,08	24,70	26,40	15,10	2,42	22,20	30,50	1,39

#### ASA SERIES

ANSI/ISO No.	Material	Pitch P mm	Roller diameter d1 max mm	Width between Plates b1 min mm	Pin diameter d2 max mm	Pin length L max mm   Lc max mm		Inner Plate height h2 max mm	Plate thickness T max mm	Minimum Tensile Strength Q min KN	Half Tensile Strength Qo KN	Weight per meter q kg/m
08A-1 OR	CS, NP, SS	12,70	7,95	7,85	4,45	18,30	19,60	12,00	1,50	14,10	17,50	0,67
10A-1 OR	CS, NP, SS	15,875	10,16	9,4	5,08	25,3	23,90	15,10	2,40	22,20	30,50	1,07
12A-1 OR	CS, NP, SS	19,05	12,07	12,57	5,72	28,50	30,40	18,00	2,40	31,80	41,50	1,62
16A-1 OR	CS, NP, SS	25,40	15,88	15,75	7,92	35,60	37,30	24,00	3,25	56,70	69,40	2,70
18A-1 OR	CS, NP, SS	31,75	19,05	18,95	9,53	43,30	47,00	30,00	4,00	88,50	109,2	3,91
<b>Reinforced series</b>												
10A-1 OR H	CS, NP, SS	15,875	10,16	9,40	5,08	24,70	26,40	15,10	2,42	22,20	30,50	1,39
12A-1 OR H	CS, NP, SS	19,05	11,91	12,57	5,94	31,70	34,20	18,00	3,25	31,80	41,50	1,50



CS CARBON STEEL  
NP NICKELLED PLATED  
SS STAINLESS STEEL



# Lube-free chains

Lube-free chains are highly resilient to wear and maintenance-free. These transmission chains provide endurance and a significantly longer service life, and adapt to applications where lubrication passage is difficult, or when machines and materials must remain clean. Efficiency is maximized as shutdowns for regular maintenance

are no longer necessary.

Their nickel-coated friction-optimized parts protect the chains from corrosion. These chains are clean and dry, and help the environment by making relubrication redundant.

## SERVICES

Many references **available in stock.**

**Tailored designs** at specific needs and requests.

**String pairings** on request.

**Chains of any length.**

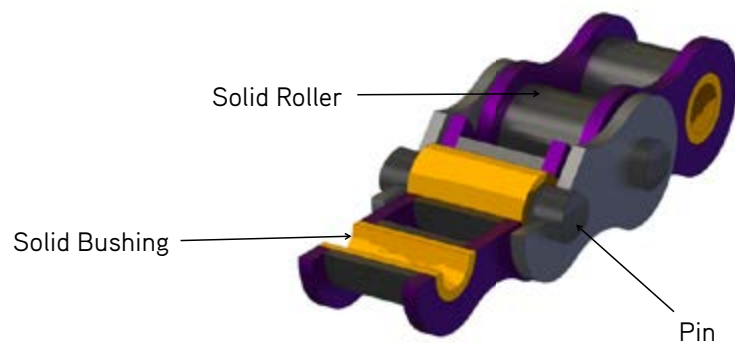
**Technical assistance.**

## HIGHLIGHTS

- ✓ Longer chain life due to low friction and high resilience.
- ✓ Maximizes efficiency thanks to significant reduction of downtime.
- ✓ Significant cut of maintenance costs.
- ✓ Environmentally-friendly, no relubrication necessary.
- ✓ Reduces scrap and eliminates product contamination.
- ✓ Operating temperature range: -40°C to + 150°C.

## INDUSTRIES

- ✓ Food and packaging
- ✓ Printing and paper manufacture
- ✓ Conveyor systems
- ✓ Textile and clothin
- ✓ Electronics
- ✓ Medical technology



# Self-lubricating chains

## Self-lubricating roller chains

### ISO SERIES

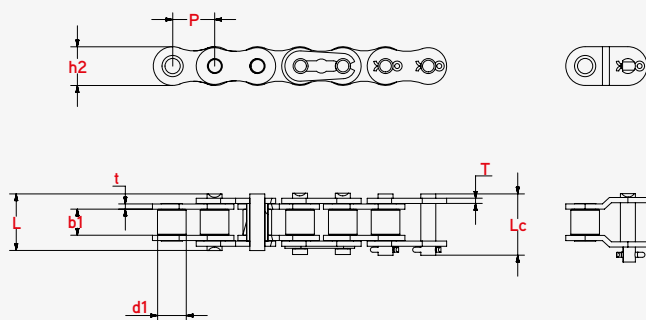
ISO SERIES		Pitch	Roller diameter	Width between Plates	Weight	Internal pin			External pin		Resistance to traction	Weight per meter
DIN/ISO No.	Material	P mm	D1 max mm	D2 max mm	m <sub>q</sub> kg/m	B1 min mm	B2 min mm	G max mm	A1 max mm	A max mm	N min Fb	F cm <sup>2</sup>
<b>SIMPLEX</b>												
06 B-1	CN, DT	9,525	6,35	3,31	0,41	5,72	8,53	8,20	12,90	14,10	8,90	0,28
08 B-1	CN, DT	12,70	8,51	4,45	0,70	7,75	11,30	11,80	16,90	18,50	17,80	0,50
10 B-1	CN, DT	15,875	10,16	5,08	0,95	9,65	13,28	14,40	19,50	20,90	22,20	0,67
12 B-1	CN, DT	19,05	12,07	5,72	1,25	11,75	15,62	16,20	22,70	23,60	28,90	0,89
16 B-1	CN, DT	25,4	15,88	8,28	2,70	17,02	25,45	21,10	36,10	36,90	60,00	2,10
20 B-1	CN, DT	31,75	19,05	10,17	3,72	19,56	29,1	26,20	41,6	43,30	95,00	2,92
<b>DUPLEX</b>												
06 B-2	CN, DT	9,525	6,35	3,31	0,78	5,72	8,53	8,20	23,40	24,60	16,90	0,56
08 B-2	CN, DT	12,70	8,51	4,45	1,35	7,75	11,30	11,80	30,80	32,40	31,10	1,00
10 B-2	CN, DT	15,875	10,16	5,08	1,85	9,65	13,28	14,40	36,00	37,50	44,50	1,34
12 B-2	CN, DT	19,05	12,07	5,72	2,50	11,75	15,62	16,40	42,10	43,00	57,80	1,78
16 B-2	CN, DT	25,40	15,85	8,28	5,40	17,02	29,45	21,10	68,80	68,80	106,00	4,21
20 B-2	CN, DT	31,75	19,05	10,19	7,36	19,56	29,01	25,40	79,70	82,90	170,00	5,84
<b>TRIPLEX</b>												
08 B-3	CN, DT	12,70	8,51	4,45	2,00	7,75	11,30	11,80	44,70	46,30	44,50	1,50
10 B-3	CN, DT	15,875	10,16	5,08	2,80	9,65	13,28	14,40	52,50	54,00	66,70	2,02
12 B-3	CN, DT	19,05	12,07	5,72	3,80	11,75	15,62	16,40	61,50	62,50	86,70	2,68
16 B-3	CN, DT	25,40	15,88	8,28	8,00	17,02	25,45	21,10	99,20	100,70	160,00	6,32

### ASA SERIES

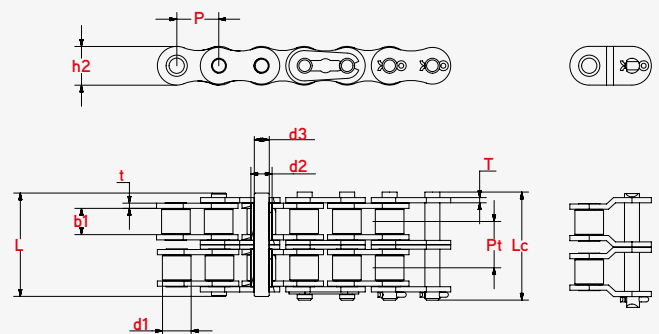
ASA SERIES			Pitch	Roller diameter	Width between Plates	Weight	Internal pin			External pin		Resistance to traction	Weight per meter
DIN/ISO No.	ANSI No.	Material	P mm	D1 max mm	D2 max mm	m <sub>q</sub> kg/m	B1 min mm	B2 min mm	G max mm	A1 max mm	A max mm	N min Fb	F cm <sup>2</sup>
08 A-1	ANSI 40	CN, DT	12,70	7,95	3,96	0,60	7,94	11,15	12,00	16,60	17,50	22,20	0,44
12 A-1	ANSI 60	CN, DT	19,05	11,91	5,96	1,47	12,70	17,75	18,00	25,30	26,70	31,30	1,06

CN CHEMICAL NICKEL  
DT DELTA-TONE

Simplex



Duplex



# Self-lubricating mesh chains

Self-lubricating straight mesh chains are a durable solution for conveyor systems.

Regular maintenance stops become unnecessary. As a result, these chains are ideal for sectors such as automotive or logistics.

## SERVICES

Many references available in stock.

String pairings on request.

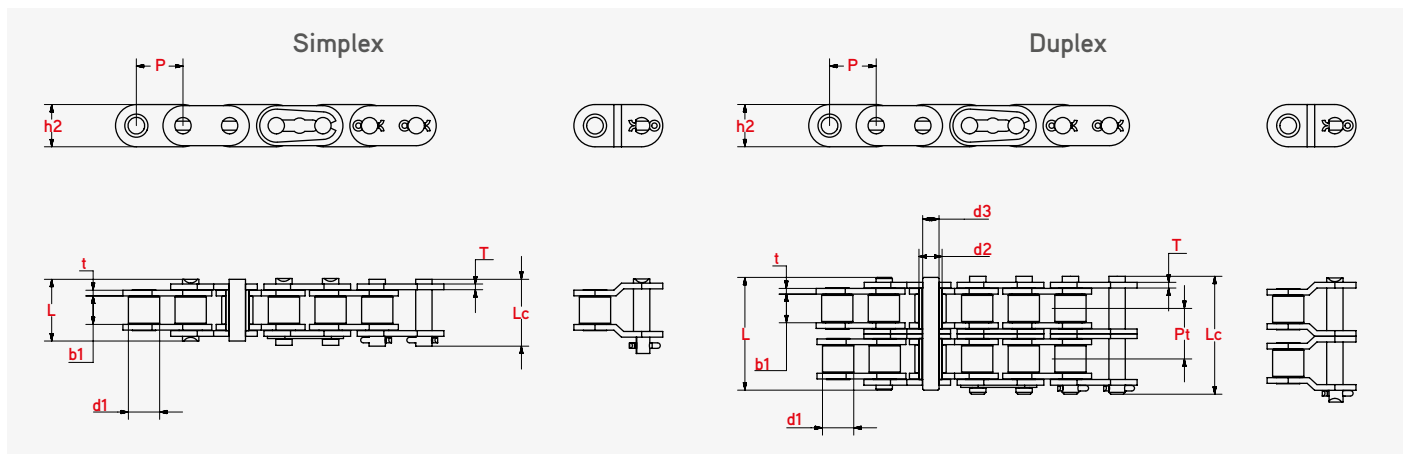
Chains of any length.

Technical assistance.

## ISO SERIES

DIN/ISO No.	Material	Pitch	Roller diameter	Width between Plates	Weight mq kg/m	Internal pin			External pin		Resistance to traction	Weight per meter
		P mm	D1 max mm	D2 max mm		B1 min mm	B2 min mm	G max mm	A1 max mm	A max mm	N min Fb	F cm2
<b>SIMPLEX</b>												
10 B-1	CN, DT	15,875	10,16	5,08	0,95	9,65	13,28	13,90	19,50	20,90	22,20	0,67
12 B-1	CN, DT	19,05	12,07	5,72	1,30	11,75	15,62	16,10	22,70	23,60	28,90	0,89
<b>DUPLEX</b>												
10 B-2	CN, DT	15,875	10,16	5,08	1,85	9,65	13,28	13,90	36,00	37,50	44,50	1,34
12 B-2	CN, DT	19,05	12,07	5,72	2,50	11,75	15,62	16,10	42,10	43,00	57,80	1,78

**CN** NIQUEL QUÍMICO  
**DT** DELTA-TONE







[www.iris-chains.com](http://www.iris-chains.com)

SINCE  
**1935**

Polígono Ind. Erisono nº 1  
20600 Eibar (Guipuzcoa) España

T +34 943 120 550  
[iris@iris-chains.com](mailto:iris@iris-chains.com)