

# Side bow chains

---

The basic dimensions of these chains are the same as those of ANSI standard roller chains. Side bow chains are capable of running in curves.



# Side bow chains

Side bow chains are capable of running and carrying materials on curved conveyor tracks. They cover the same basic dimensions as those of ANSI standard chains, except for a wider gap between the pin and the bush that allows the chain to bow even on very narrow angles. Guides are required in all curved areas.

Side bow chains can be supplied with special lubricants or special coatings, or fitted with bent attachments, flat plastic conveyor plates or extended pins. Various types of attachments for a wide variety of applications can be manufactured upon request.

## SERVICES

Many references **available in stock.**

**Corrosion-resistant versions available** (nickel-plated, delta tone, stainless steel).

**Specific product on request** (Ex: enlarged bush inner diameter or transport rollers).

**Matched pairs on request for chains** working in parallel.

**Chains of any length.**

**Technical assistance.**



ISO SERIES

		Pitch	Roller diameter	Width between Plates	Pin diameter	Pin length		Inner Plate height	Plate thickness	Radio of the turn side	Minimum Tensile Strength	Weight per meter
DIN/ISO No.	Material	P mm	d1 max mm	b1 max mm	d2 max mm	L max mm	Lc max KN	L2 max KN	t/T max KN	R min mm	Q min KN	q kg/m
08B-1 SB	CS, DT, SS	12,70	8,51	7,75	3,96	17,4	18,7	12,2	1,6	400	14,00	0,70
10B-1 SB	CS, DT, SS	15,875	10,16	9,65	4,50	20,1	21,5	14,7	1,7	400	15,60	0,93
12B-1 SB	CS, DT, SS	19,05	12,07	11,68	5,08	23,1	24,8	16	1,9	500	20,50	1,16
16B-1 SB	CS, DT, SS	25,40	15,88	17,02	7,90	36,5	39,7	21	3,7/3,0	500	55,60	2,53

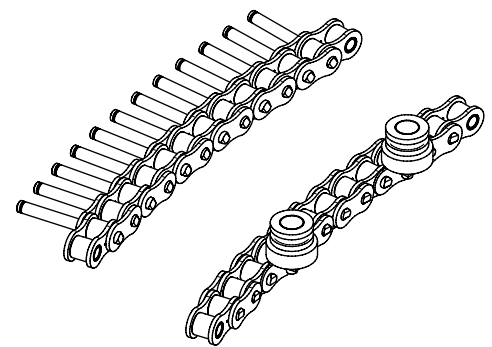
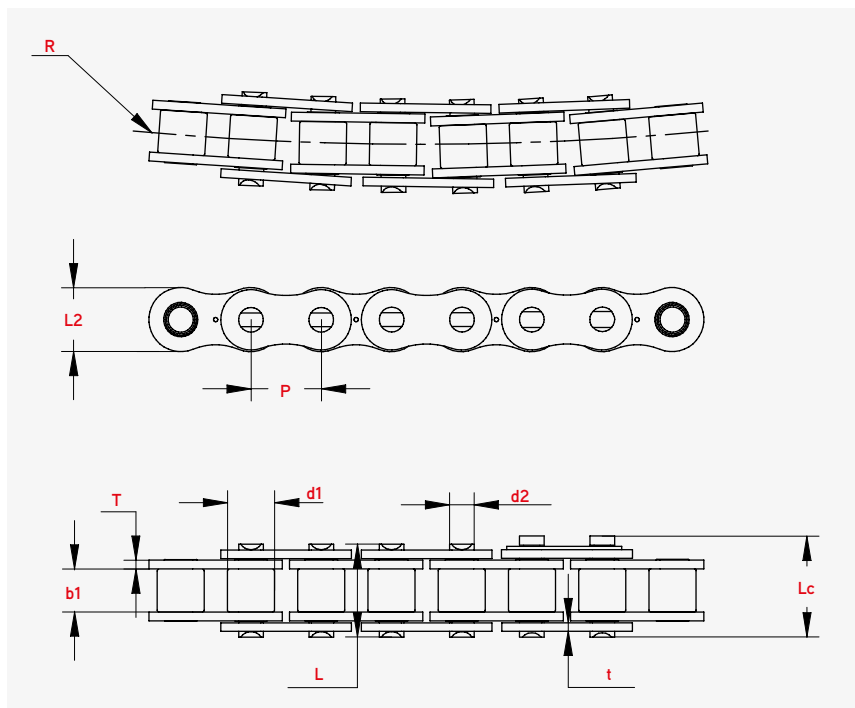
ASA SERIES

			Pitch	Roller diameter	Width between Plates	Pin diameter	Pin length		Inner Plate height	Plate thickness	Radio of the turn side	Minimum Tensile Strength	Weight per meter
DIN/ISO No.	ANSI No.	Material	P mm	d1 max mm	b1 max mm	d2 max mm	L max mm	Lc max KN	L2 max KN	t/T max KN	R min mm	Q min KN	q kg/m
08A-1 SB	40 SB	CS, DT, SS	12,70	7,95	7,85	3,96	16,90	18,10	11,70	1,50	350	13,80	0,80
10A-1 SB	50 SB	CS, DT, SS	15,875	10,16	9,40	4,37	20,70	22,70	14,90	2,03	400	20,60	1,09
12A-1 SB	60 SB	CS, DT, SS	19,05	11,91	12,57	5,34	26,60	28,40	18,00	2,42	500	15,70	1,54
16A-1 SB	80 SB	CS, DT, SS	25,40	15,88	15,75	7,19	34,00	37,30	24,00	3,25	711	40,90	2,60
<b>SERIE ASA-DOUBLE Pitch</b>													
C210 SB	C2050 SB	CS, SS	31,75	10,16	9,40	5,08	21,3	22,60	15,00	2,03	800	21,80	0,84

ASA SERIES

		Pitch	Roller diameter	Width between Plates	Pin diameter	Pin length		Inner Plate height	Plate thickness	Radio of the turn side	Minimum Tensile Strength	Weight per meter
ANSI No.	Material	P mm	d1 max mm	b1 max mm	d2 max mm	L max mm	Lc max KN	L2 max KN	t/T max KN	R min mm	Q min KN	q kg/m
43 SB	CS, DT, SS	12,70	7,95	7,85	3,45	18,30	19,50	11,70	1,50	305	12,00	0,64
63 SB	CS, DT, SS	19,05	11,91	12,68	5,08	28,80	30,60	17,20	2,42/2,03	350	12,50	1,40

CS CARBON STEEL  
DT DELTA-TONE  
SS STAINLESS STEEL



Examples of special side turn chains





[www.iris-chains.com](http://www.iris-chains.com)

SINCE  
**1935**

Polígono Ind. Erisono nº 1  
20600 Eibar (Guipuzcoa) España

T +34 943 120 550  
[iris@iris-chains.com](mailto:iris@iris-chains.com)