



**iRIS**  
chains

[www.iris-chains.com](http://www.iris-chains.com)

SINCE  
**1935**

## Roller chains with sharp top plates

Sharp top chains are used in the wood processing and forestry industries

## Roller chains with sharp top chains

Roller chains with sharp top plates are designed and built for an **optimized service life**. IRIS provides chains in a wide variety of precise tooth forms.

These cover different possible applications mainly in the forestry and wood processing industry, from the harmless and stable transport of sawn planks, to the steady gripping of raw timber for its processing.

**IRIS also provides additional sawtooth forms and tailor-made solutions on request**, for the maximum suitability with your application.

### SERVICES

*Many references available in stock.*

**Corrosion-resistant versions available**  
*(delta tone, stainless steel).*

**Specific product on request**  
*(Ex: enlarged bush inner diameter  
or transport rollers)*

**Matched pairs on request for**  
*chains working in parallel.*

**Chains of any length.**

**Technical assistance.**

### Highlights

- ▶ Dimensions according to ISO 606.
- ▶ Higher fatigue strength due to optimized press fit of pin and outer plate.
- ▶ Higher tensile strength due to optimized plate strength.
- ▶ Teeth are accurate and precise with minimal penetration.
- ▶ Well-constructed centre plates avoid sawdust from producing malfunctions.
- ▶ Higher wear resistance without compromising strength.
- ▶ Minimum elongation due to wear and a long service life.

### Product Range

IRIS offer chains with **diverse teeth sizes** in order to provide solutions for a wide range of applications in wood **processing, sawmills or papermills**, among others.

Based on the size of the teeth and their grip depth, we differentiate between:

#### *Roller chains with optimum sawtooth*



- Careful and steady handling
- Resistance to wear and sawdust

#### *Roller chains for sawmills*



- Increased even load distribution
- Maximized productivity

# Roller chains with optimum sawtooth ISO Series 3/8"

Roller chains with smaller sawtooth are used for **processing pieces and products carefully and steadily, with minimal grip.**

IRIS offers chains that are suitable for a wide variety of applications in industries such as timber processing and paper mills, with standards that ensure a **long service life.**

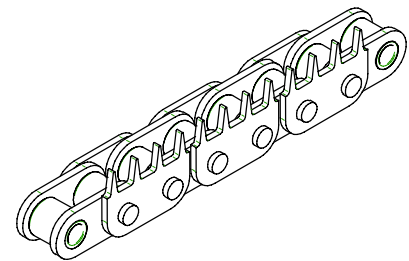
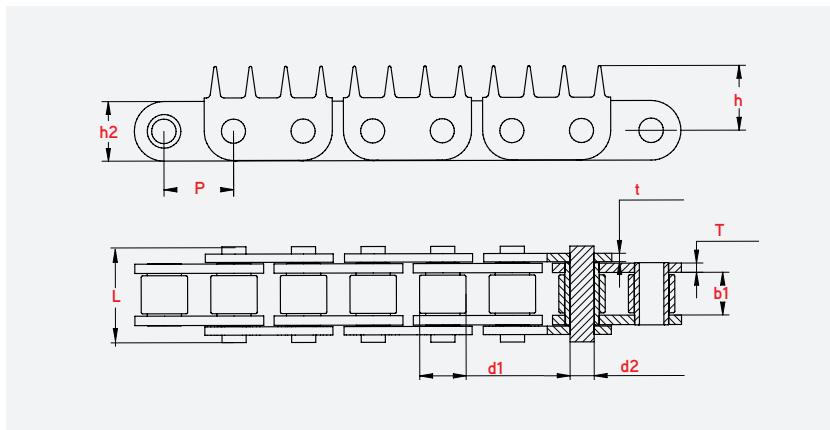


## 4-Teeth Every 2-Pitches - High profile

### ISO SERIES

ISO SERIES		Pitch	Roller diameter	width between plates	Pin diameter	Pin length		Inner Plate depth	Chain to top height	Plate thickness	Minimum Tensile strength	Weight per meter
DIN/ISO No.	Material	P mm	d1 max mm	b1 max mm	d2 max mm	L max mm	Lc max mm	h2 mm	h mm	t/T max mm	Q min KN	q kg/m
06B-1	CS, DT, SS	9,525	6,35	5,84	3,31	13,10	15,10	8,15	8,86	1,15	10,40	0,41

- CS CARBON STEEL
- DT DELTA-TONE
- SS STAINLESS STEEL

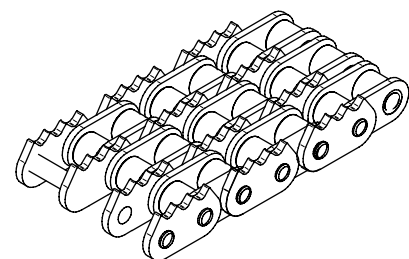
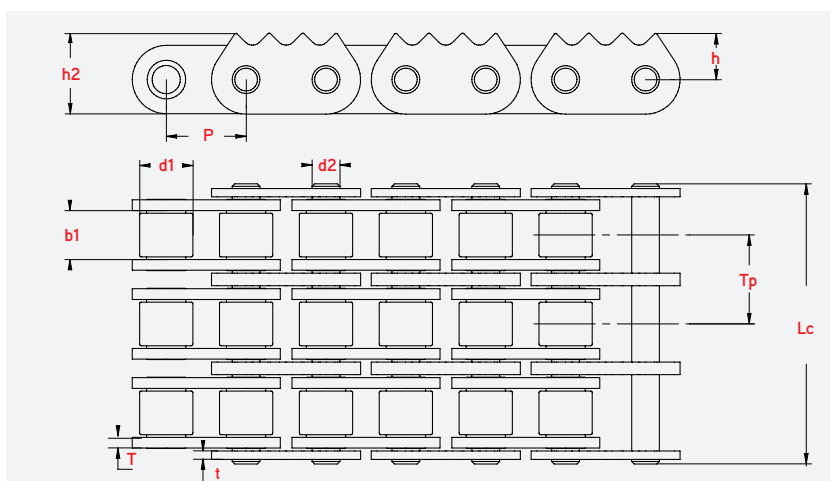


## 4-Teeth Every 2-Pitches - Standard profile

### ISO SERIES

ISO SERIES		Pitch	Roller diameter	width between plates	Pin diameter	Pin length		Inner Plate depth	Chain to top height	Plate thickness	Minimum Tensile strength	Weight per meter
DIN/ISO No.	Material	P mm	d1 max mm	b1 max mm	d2 max mm	L max mm	Lc max mm	h2 mm	h mm	t/T max mm	Q min KN	q kg/m
06B-1	CS, DT, SS	9,525	6,35	5,72	3,31	32,30	34,30	8,15	5,55	1,5/1,28		

- CS CARBON STEEL
- DT DELTA-TONE
- SS STAINLESS STEEL



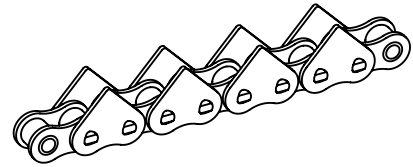
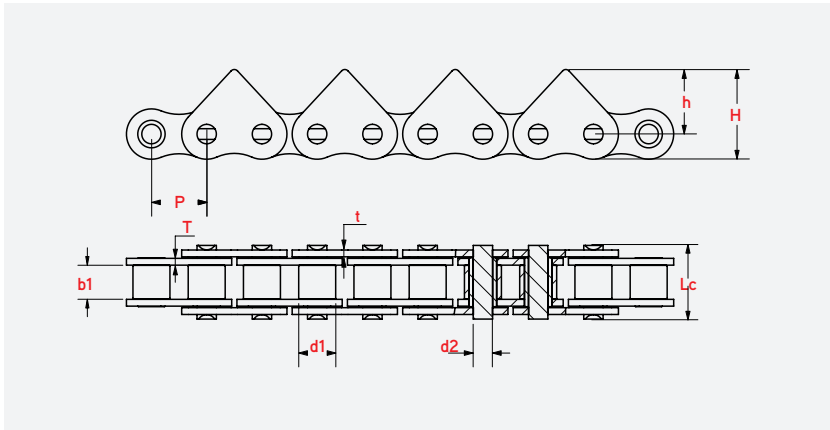
# Roller chains with optimum sawtooth ISO Series 1/2"

## 1-Spike Every 2nd Pitch - Waferizer

### ISO SERIES

DIN/ISO No.	Material	Pitch	Roller diameter	width between plates	Pin diameter	Pin length		Inner Plate depth	Chain to top height	Plate thickness	Minimum Tensile strength	Weight per meter
		P mm	d1 max mm	b1 max mm	d2 max mm	L max mm	Lc max mm	H mm	h mm	t/T max mm	Q min KN	q kg/m
08B-1	CS, DT, SS	12,700	8,51	7,75	4,45	16,70	18,20	20,50	14,75	1,55	18,00	0,75

CS CARBON STEEL  
DT DELTA-TONE  
SS STAINLESS STEEL

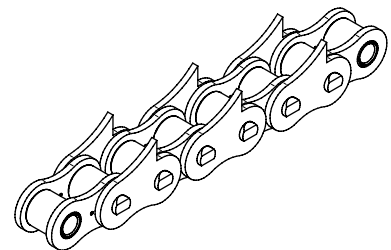
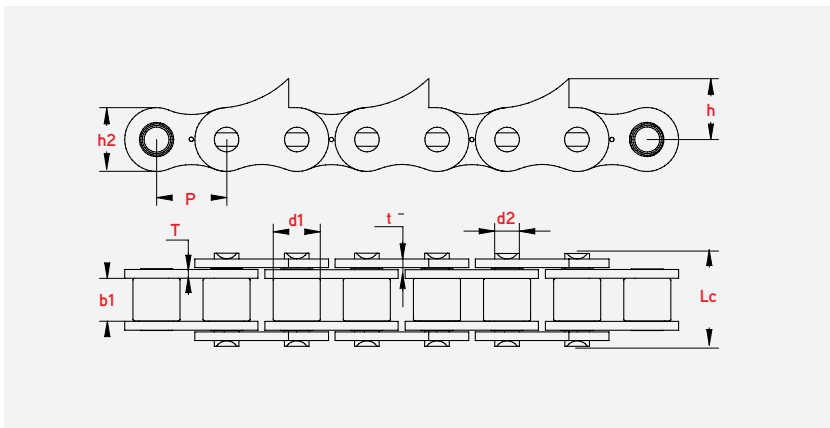


## 1-Tooth Every 2nd Pitch

### ISO SERIES

DIN/ISO No.	Material	Pitch	Roller diameter	width between plates	Pin diameter	Pin length		Inner Plate depth	Chain to top height	Plate thickness	Minimum Tensile strength	Weight per meter
		P mm	d1 max mm	b1 max mm	d2 max mm	L max mm	Lc max mm	h2 mm	h mm	t/T max mm	Q min KN	q kg/m
08B-1	CS, DT, SS	12,700	8,51	7,75	4,45	16,70	18,20	11,80	11,00	1,55	19,40	0,69

CS CARBON STEEL  
DT DELTA-TONE  
SS STAINLESS STEEL



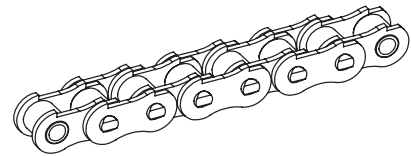
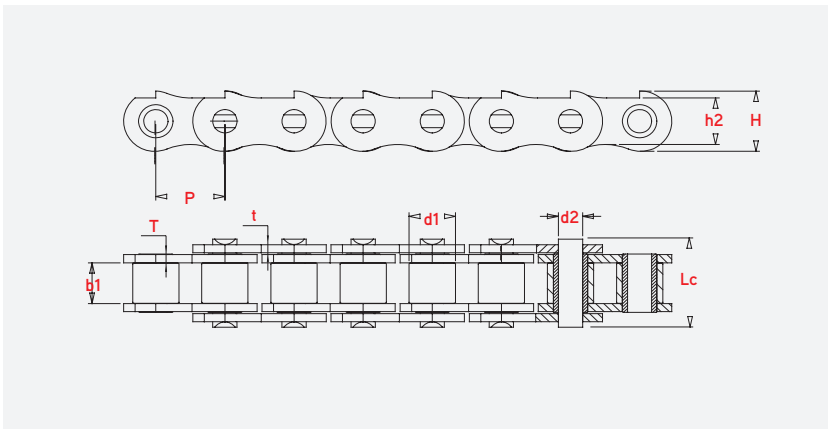
# Roller chains with optimum sawtooth ISO Series 1/2"

## 2-Teeth Every Pitch - Low profile

### ISO SERIES

DIN/ISO No.	Material	Pitch	Roller diameter	width between plates	Pin diameter	Pin length		Inner Plate depth	Plate depth	Plate thickness	Minimum Tensile strength	Weight per meter
		P mm	d1 max mm	b1 max mm	d2 max mm	L max mm	Lc max mm	H mm	h2 mm	t/T max mm	Q min KN	q kg/m
08B-1	CS, DT, SS	12,700	8,51	7,75	4,45	16,70	18,20	11,50	8,75	1,55	19,40	0,69

CS CARBON STEEL  
 DT DELTA-TONE  
 SS STAINLESS STEEL

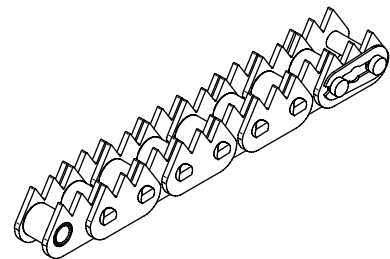
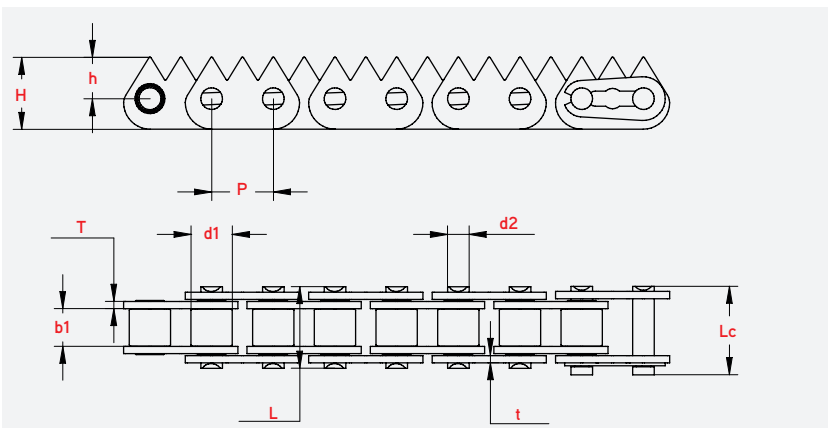


## 3-Teeth Every Pitch

### ISO SERIES

DIN/ISO No.	Material	Pitch	Roller diameter	width between plates	Pin diameter	Pin length		Inner Plate depth	Chain to top height	Plate thickness	Minimum Tensile strength	Weight per meter
		P mm	d1 max mm	b1 max mm	d2 max mm	L max mm	Lc max mm	H mm	h mm	t/T max mm	Q min KN	q kg/m
08B-1	CS, DT, SS	12,700	8,51	7,75	4,45	16,70	18,20	15,05	8,75	1,60	18,00	0,75

CS CARBON STEEL  
 DT DELTA-TONE  
 SS STAINLESS STEEL



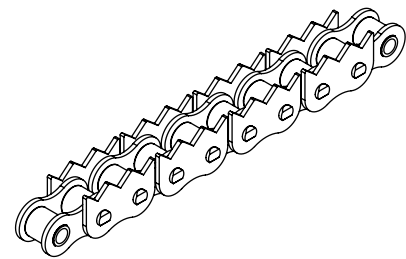
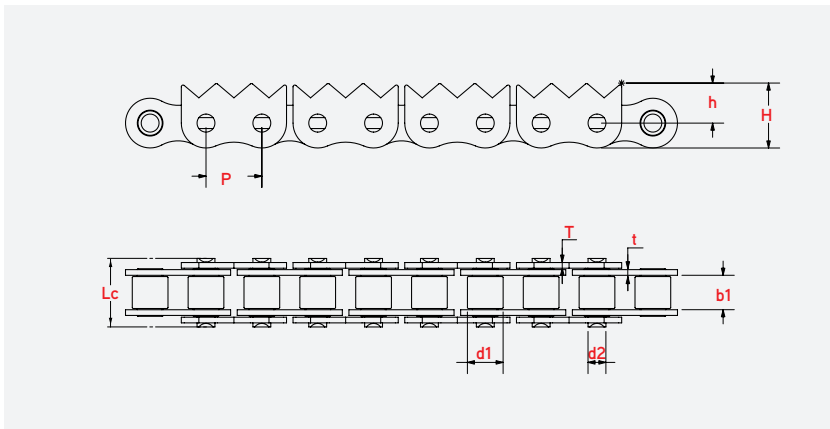
# Roller chains with optimum sawtooth ISO Series 5/8"

4-Teeth Every 2nd Pitch

ISO SERIES

DIN/ISO No.	Material	Pitch	Roller diameter	width between plates	Pin diameter	Pin length		Inner Plate depth	Chain to top height	Plate thickness	Minimum Tensile strength	Weight per meter
		P mm	d1 max mm	b1 max mm	d2 max mm	L max mm	Lc max mm	H mm	h mm	t/T max mm	Q min KN	q kg/m
10B-1	CS, DT, SS	15,875	10,15	9,65	5,08	17,00	19,30	18,30	11,30	1,60	27,5	0,93

CS CARBON STEEL  
 DT DELTA-TONE  
 SS STAINLESS STEEL



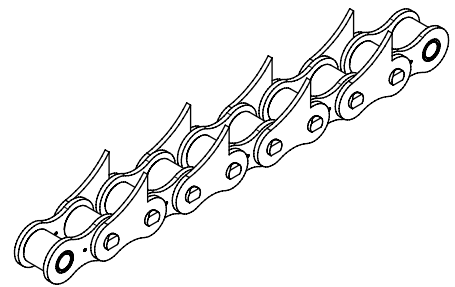
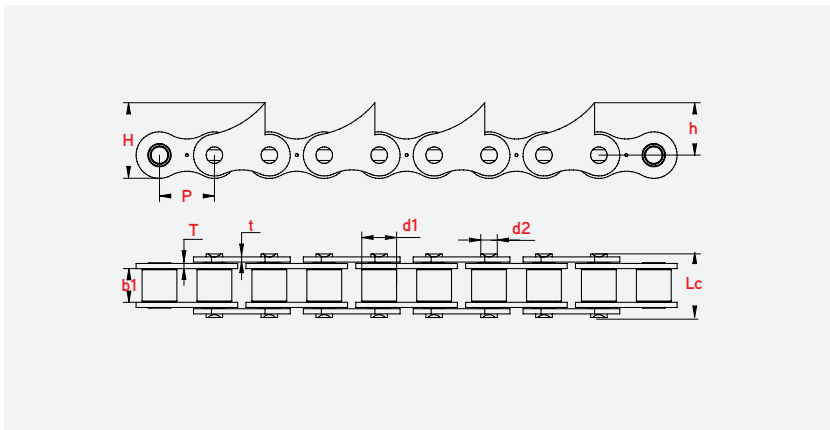
# Roller chains with optimum sawtooth ISO Series 3/4"

1-ToothEvery Pitch

ISO SERIES

ISO SERIES		Pitch	Roller diameter	width between plates	Pin diameter	Pin length		Inner Plate depth	Chain to top height	Plate thickness	Minimum Tensile strength	Weight per meter
DIN/ISO No.	Material	P mm	d1 max mm	b1 max mm	d2 max mm	L max mm	Lc max mm	H mm	h mm	t/T max mm	Q min KN	q kg/m
12B-1	CS, DT, SS	19,050	12,07	11,73	5,72	22,50	25,20	26,25	18,25	1,85	29,00	0,95

CS CARBON STEEL  
DT DELTA-TONE  
SS STAINLESS STEEL

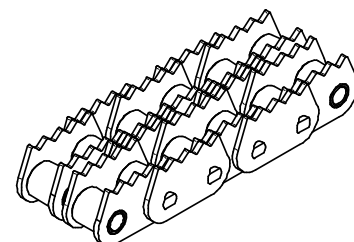
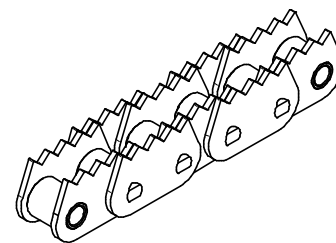
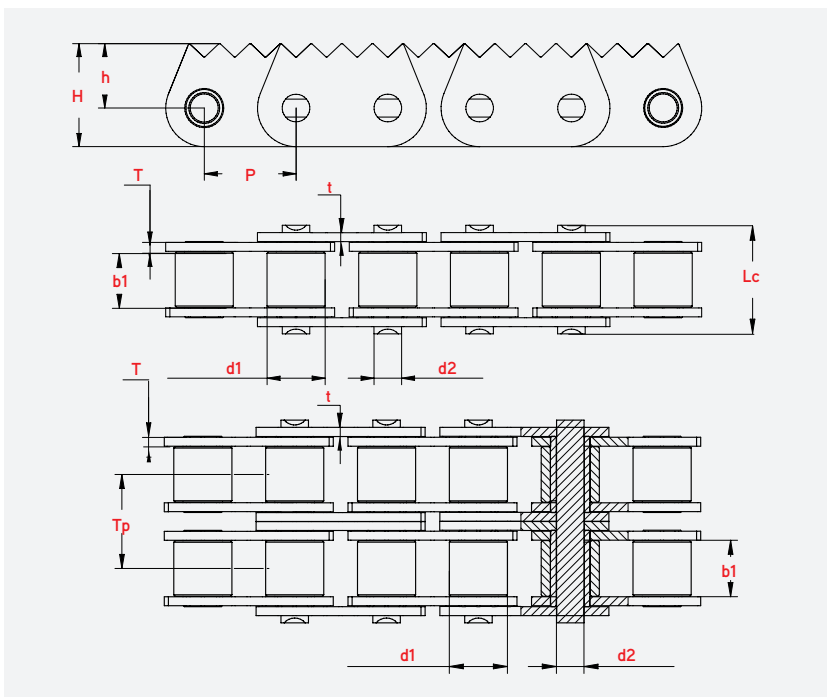


5-Teeth Every Pitch - High profile

ISO SERIES

ISO SERIES		Pitch	Roller diameter	width between plates	Pin diameter	Pin length		Inner Plate depth	Chain to top height	Traverse pitch	Plate thickness	Minimum Tensile strength	Weight per meter
DIN/ISO No.	Material	P mm	d1 max mm	b1 max mm	d2 max mm	L max mm	Lc max mm	H mm	h mm	TP mm	t/T max mm	Q min KN	q kg/m
12B-1	CS, DT, SS	19,050	12,07	11,68	5,72	22,50	25,20	21,20	13,20	-	1,85	29,00	1,15
12B-2	CS, DT, SS	19,050	12,07	11,68	5,72	42,00	447,00	21,20	13,20	19,46	1,85	57,80	2,31

CS CARBON STEEL  
DT DELTA-TONE  
SS STAINLESS STEEL



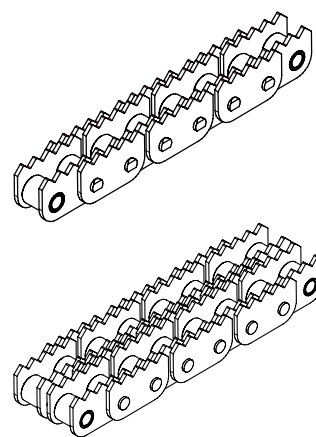
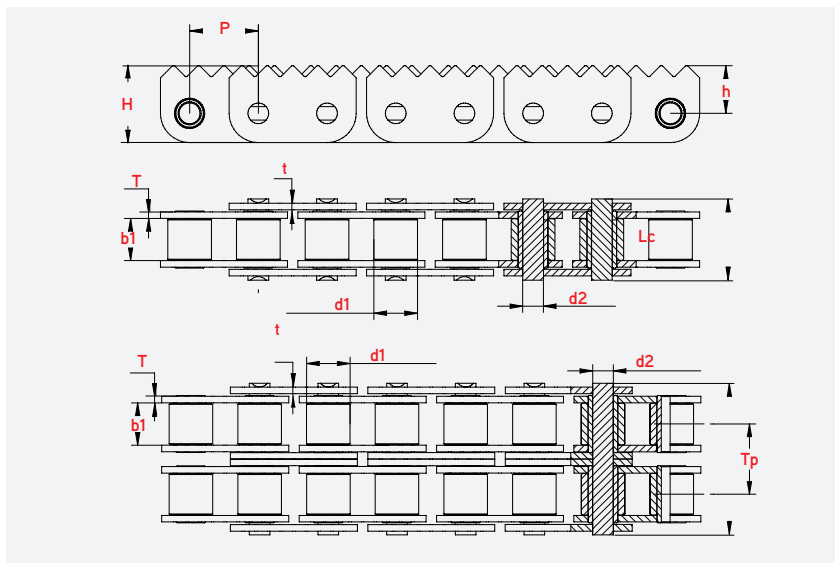
# Roller chains with optimum sawtooth ISO Series 3/4''

## 5-Teeth Every Pitch - Rectangular profile

### ISO SERIES

DIN/ISO No.	Material	Pitch P mm	Roller diameter d1 max mm	width between plates b1 max mm	Pin diameter d2 max mm	Pin length L max mm		Inner Plate depth H mm	Chain to top height h mm	Traversal pitch Tp mm	Plate thickness t/T max mm	Minimum Tensile strength Q min KN	Weight per meter q kg/m
12B-1	CS, DT, SS	19,050	12,07	11,68	5,72	22,50	25,20	21,40	12,00	-	1,80	29,00	1,24
12B-2	CS, DT, SS	19,050	12,07	11,68	5,72	42,00	44,70	21,40	12,00	19,46	1,80	57,80	2,51

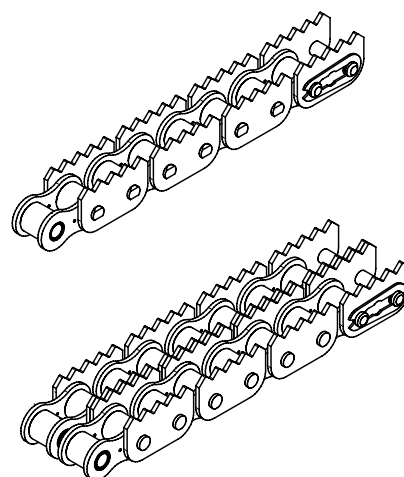
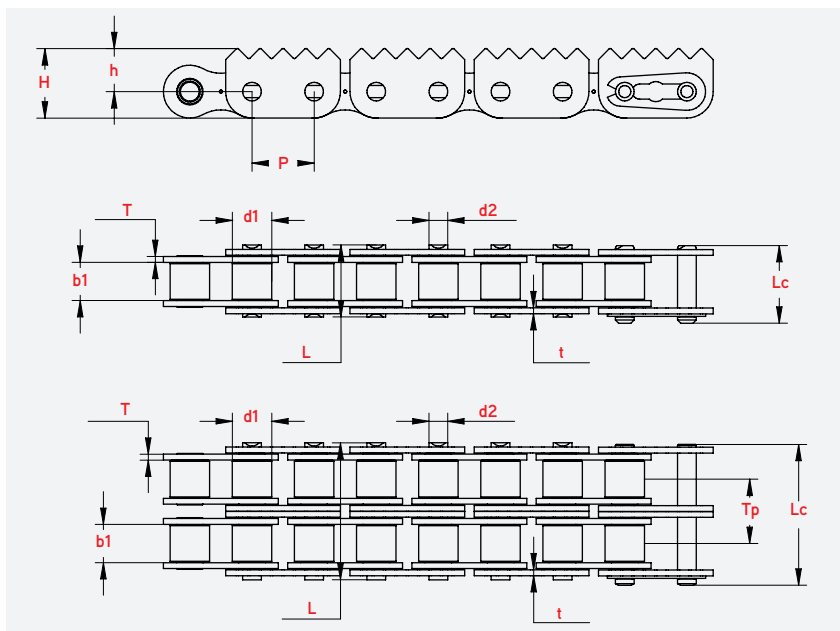
CS CARBON STEEL  
DT DELTA-TONE  
SS STAINLESS STEEL



## 5-Teeth Every 2nd Pitch - Rectangular profile

### ISO SERIES

DIN/ISO No.	Material	Pitch P mm	Roller diameter d1 max mm	width between plates b1 max mm	Pin diameter d2 max mm	Pin length L max mm		Inner Plate depth H mm	Chain to top height h mm	Traversal pitch Tp mm	Plate thickness t/T max mm	Minimum Tensile strength Q min KN	Weight per meter q kg/m
12B-1	CS, DT, SS	19,050	12,07	11,68	5,72	22,50	25,20	21,00	13,00	-	1,85	29,00	1,24
12B-2	CS, DT, SS	19,050	12,07	11,68	5,72	42,00	44,70	21,00	13,00	19,46	1,85	57,80	2,51





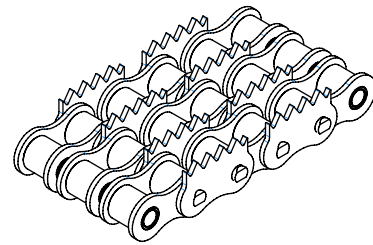
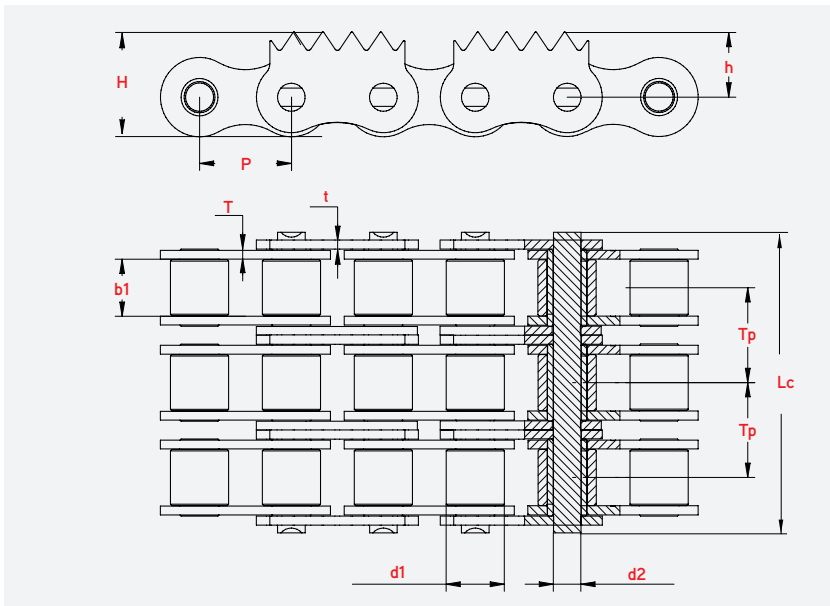
# Roller chains with optimum sawtooth ISO Series 3/4''

6-Teeth Every 2nd Pitch - Rectangular profile

ISO SERIES

DIN/ISO No.	Material	Pitch P mm	Roller diameter d1 max mm	width between plates b1 max mm	Pin diameter d2 max mm	Pin length L max mm	Lc max mm	Inner Plate depth H mm	Chain to top height h mm	Traverse pitch Tp mm	Plate thickness t/T max mm	Minimum Tensile strength Q min KN	Weight per meter q kg/m
12B-3	CS, DT, SS	19,05	12,07	11,70	5,72	61,5	63,5	21,00	13,50	19,46	1,8/1,85	101,8	8,13

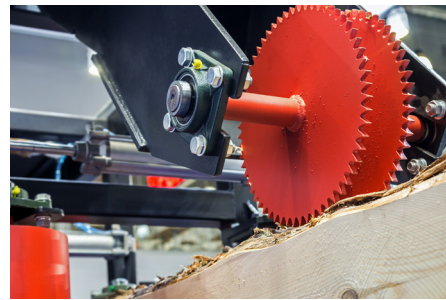
- CS CARBON STEEL
- DT DELTA-TONE
- SS STAINLESS STEEL



# Roller chains for sawmills ISO Series 1''

IRIS provides a **complete range of chains for sawmill operations**, including timber sorting and bull edgers.

Our designs guarantee a better grip, with **increased even loading** and **resistance to wear and sawdust**, which as a result **favours productivity and minimizes downtime**.

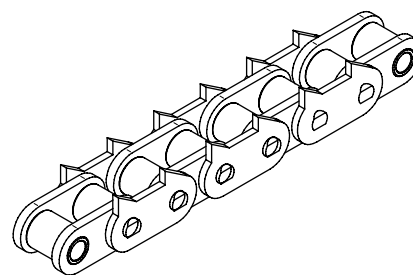
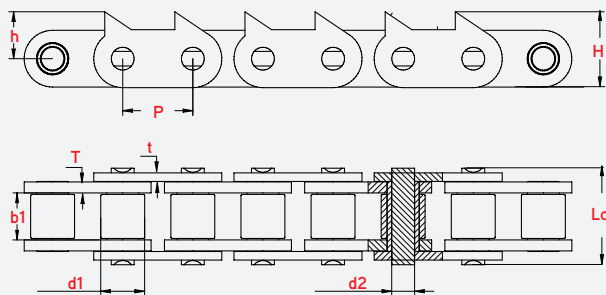


2-Teeth Every 2nd Pitch - Slasher low profile

## ISO SERIES

DIN/ISO No.	Material	Pitch	Roller diameter	width between plates	Pin diameter	Pin length		Inner Plate depth	Chain to top height	Plate thickness	Minimum Tensile strength	Weight per meter
		P mm	d1 max mm	b1 max mm	d2 max mm	L max mm	Lc max mm	H mm	h mm	t/T max mm	Q min KN	q kg/m
16B-1	CS, DT, SS	25,400	15,88	17,02	8,26	36,10	39,10	27,50	17,00	3,10/4,15	77,1	2,71

- CS CARBON STEEL
- DT DELTA-TONE
- SS STAINLESS STEEL



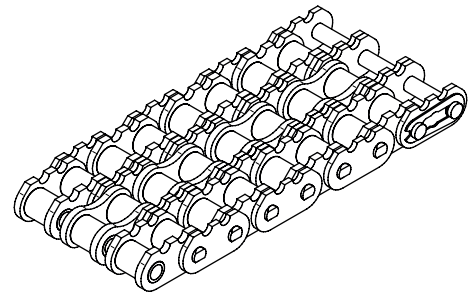
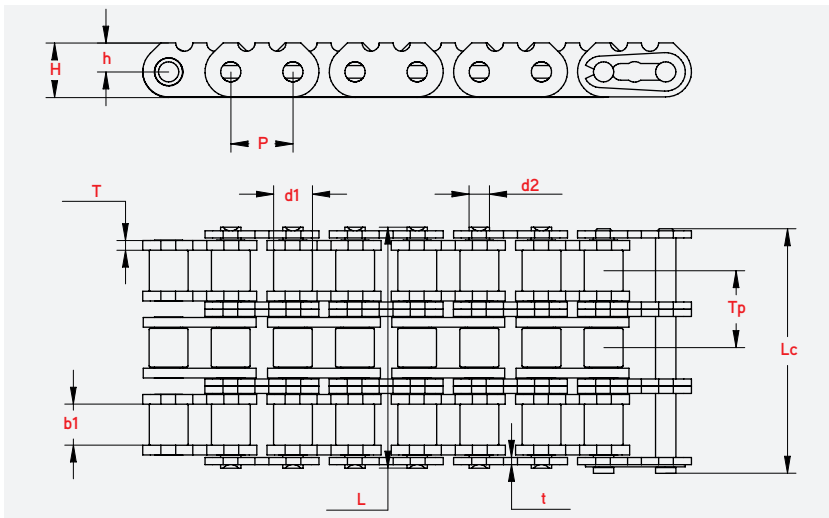
# Roller chains for sawmills ISO Series 1''

3-Teeth Every Pitch

ISO SERIES

DIN/ISO No.	Material	Pitch P mm	Roller diameter d1 max mm	width between plates b1 max mm	Pin diameter d2 max mm	Pin length L max mm    Lc max mm		Inner Plate depth H mm	Chain to top height h mm	Plate thickness t/T max mm	Minimum Tensile strength Q min KN	Weight per meter q kg/m
16B-3	CS, DT, SS	25,400	15,88	17,02	8,28	36,10	39,10	26,50	16,00	4,00/3,00	72,80	3,35

CS CARBON STEEL  
DT DELTA-TONE  
SS STAINLESS STEEL



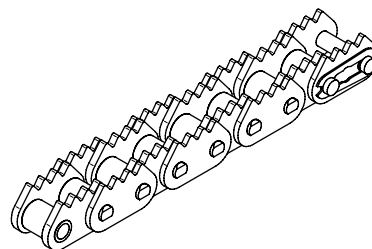
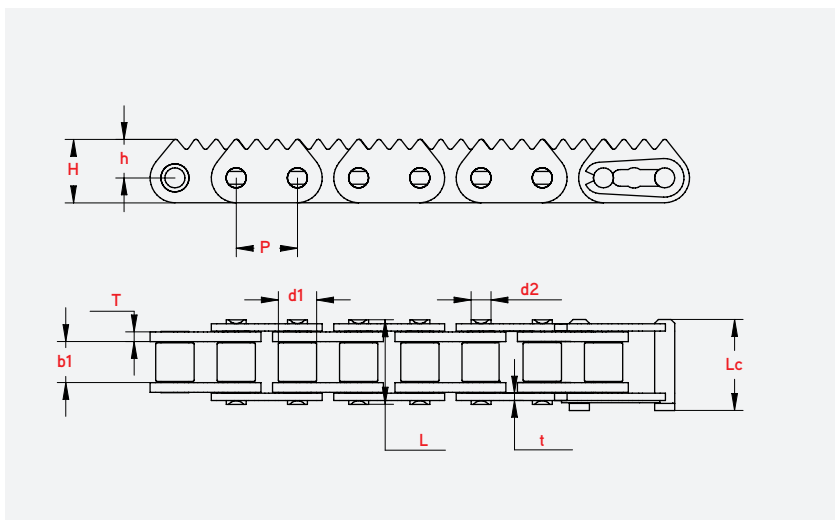
# Roller chains for sawmills ISO Series 1''

4-Teeth Every Pitch

ISO SERIES

DIN/ISO No.	Material	Pitch	Roller diameter	width between plates	Pin diameter		Pin length		Inner Plate depth	Chain to top height	Plate thickness	Minimum Tensile strength	Weight per meter
		P mm	d1 max mm	b1 max mm	d2 max mm	L max mm	Lc max mm	H mm	h mm	t/T max mm	Q min KN	q kg/m	
16B-1	CS, DT, SS	25,400	15,88	17,02	8,28	36,10	39,10	26,50	16,00	4,00/3	72,8	3,35	

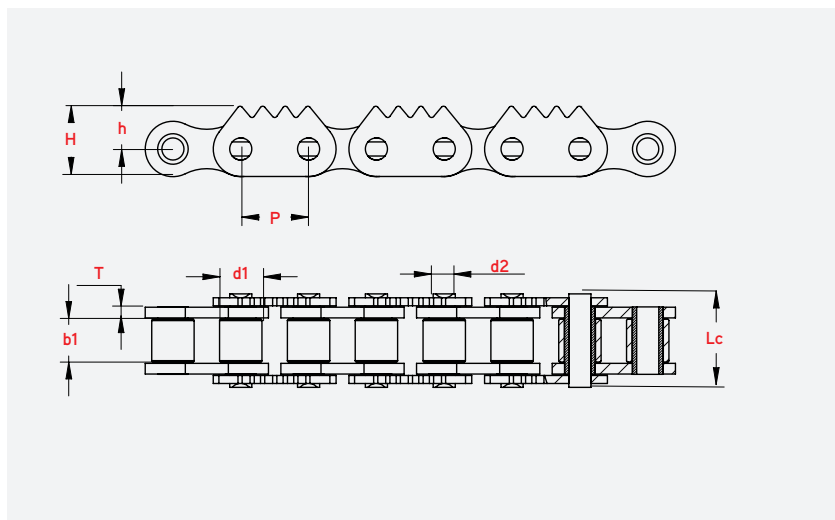
CS CARBON STEEL  
DT DELTA-TONE  
SS STAINLESS STEEL



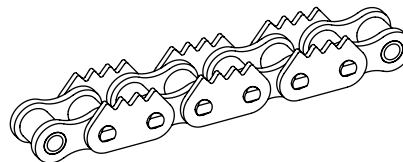
4-Teeth Every 2nd Pitch

ISO SERIES

DIN/ISO No.	Material	Pitch	Roller diameter	width between plates	Pin diameter		Pin length		Inner Plate depth	Chain to top height	Plate thickness	Minimum Tensile strength	Weight per meter
		P mm	d1 max mm	b1 max mm	d2 max mm	L max mm	Lc max mm	H mm	h mm	t/T max mm	Q min KN	q kg/m	
16B-1	CS, DT, SS	25,400	15,88	17,02	8,28	36,10	39,10	26,50	16,00	4,00/3	72,8	3,35	



corregir ángulo



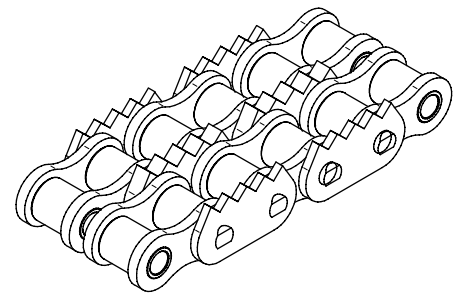
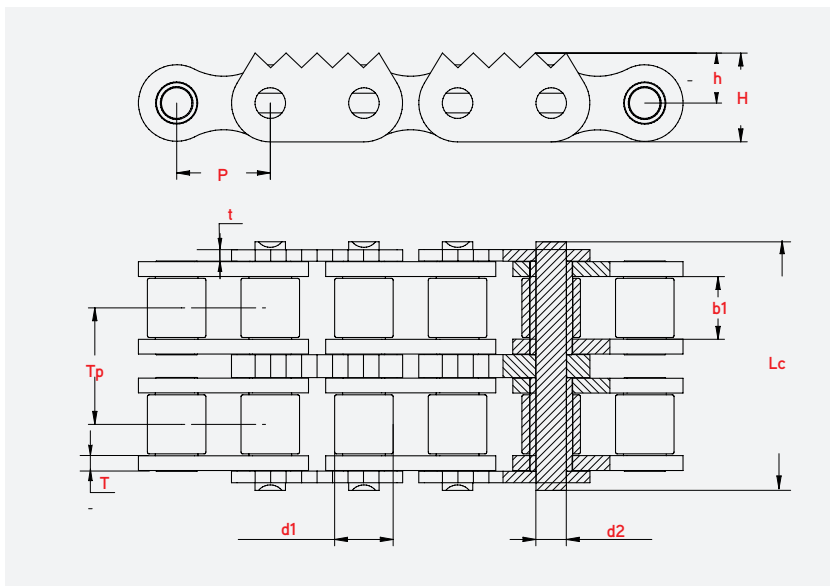
# Roller chains for sawmills ISO Series 1''

## 5-Teeth Every 2nd Pitch

### ISO SERIES

DIN/ISO No.	Material	Pitch P mm	Roller diameter d1 max mm	width between plates b1 max mm	Pin diameter d2 max mm	Pin length		Inner Plate depth H mm	Chain to top height h mm	Traverse pitch Tp mm	Plate thickness t/T max mm	Minimum Tensile strength Q min KN	Weight per meter q kg/m
16B-2	CS, DT, SS	25,400	15,88	17,02	8,28	L max 68,00	Lc max 71,00	24,05	13,55	31,88	3,1/4,15	152,1	5,42

CS CARBON STEEL  
DT DELTA-TONE  
SS STAINLESS STEEL

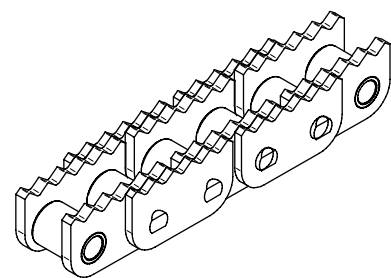
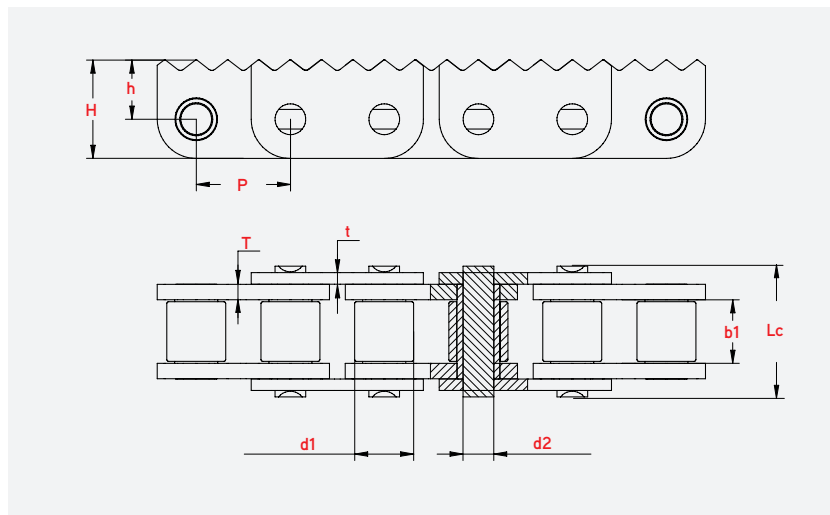


## 6-Teeth Every Pitch

### ISO SERIES

DIN/ISO No.	Material	Pitch P mm	Roller diameter d1 max mm	width between plates b1 max mm	Pin diameter d2 max mm	Pin length		Inner Plate depth H mm	Chain to top height h mm	Plate thickness t/T max mm	Minimum Tensile strength Q min KN	Weight per meter q kg/m
16B-1	CS, DT, SS	25,400	15,88	25,45	8,26	L max 36,10	Lc max 39,10	26,50	16,00	3,10/4,15	77,1	2,71

CS CARBON STEEL  
DT DELTA-TONE  
SS STAINLESS STEEL



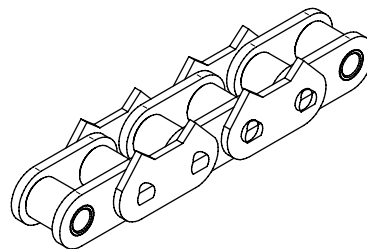
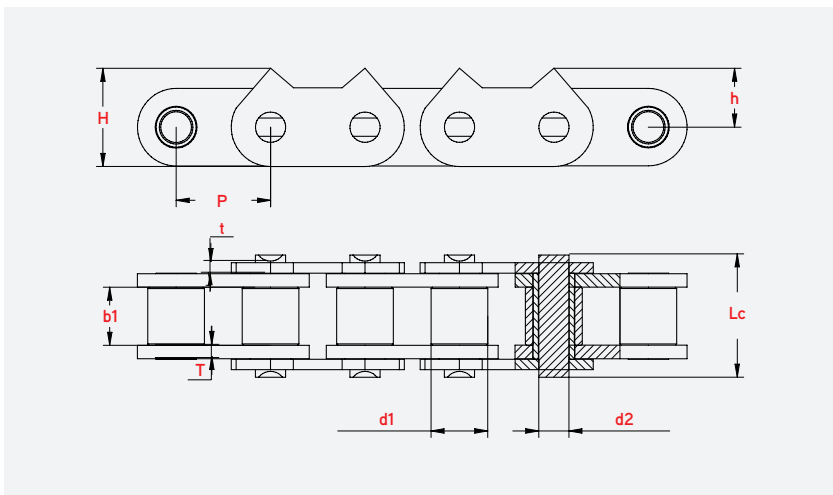
# Roller chains for sawmills ISO Series 1 1/4"

2-Teeth Every 2nd Pitch

ISO SERIES

DIN/ISO No.	Material	Pitch	Roller diameter	width between plates	Pin diameter	Pin length		Inner Plate depth	Chain to top height	Plate thickness	Minimum Tensile strength	Weight per meter
		P mm	d1 max mm	b1 max mm	d2 max mm	L max mm	Lc max mm	H mm	h mm	t/T max mm	Q min KN	q kg/m
20B-1	CS, DT, SS	31,75	19,05	19,56	10,15	41,5	45	33	19,8	3,5/4,5		

CS CARBON STEEL  
DT DELTA-TONE  
SS STAINLESS STEEL

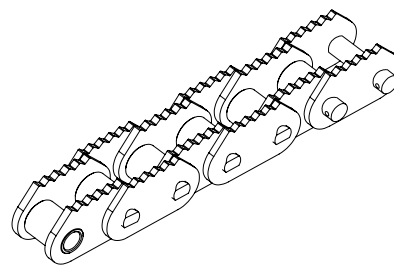
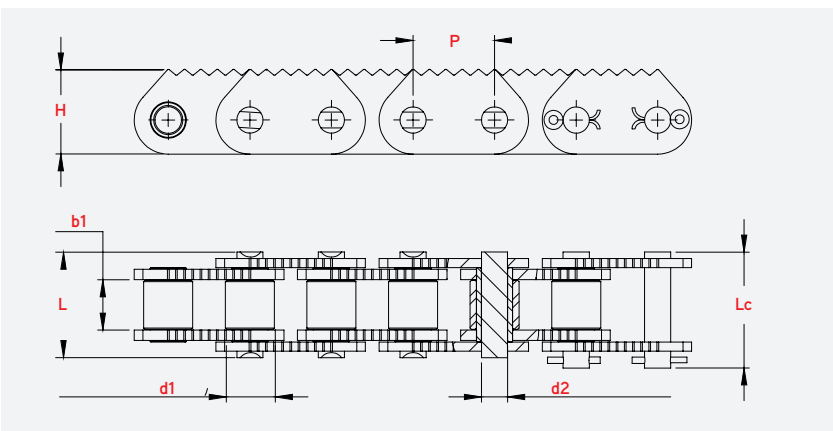


6-Teeth Every Pitch

ISO SERIES

DIN/ISO No.	Material	Pitch	Roller diameter	width between plates	Pin diameter	Pin length		Inner Plate depth	Chain to top height	Plate thickness	Minimum Tensile strength	Weight per meter
		P mm	d1 max mm	b1 max mm	d2 max mm	L max mm	Lc max mm	H mm	h mm	t/T max mm	Q min KN	q kg/m
20B-1	CS, DT, SS	31,75	19,05	19,56	10,15	41,5	45	33	19,8	3,5/4,5	112,8	3,70

CS CARBON STEEL  
DT DELTA-TONE  
SS STAINLESS STEEL



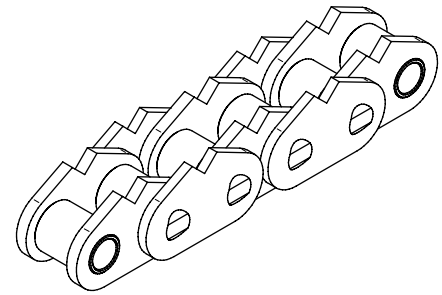
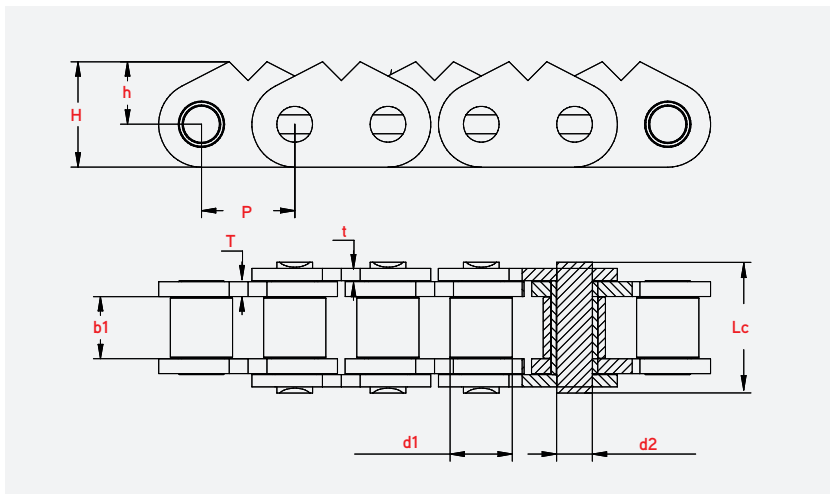
# Roller chains for sawmills ISO Series 1 1/2"

2-Teeth Every Pitch - Root reducer chains

ISO SERIES

DIN/ISO No.	Material	Pitch	Roller diameter	width between plates	Pin diameter	Pin length		Inner Plate dept	Chain to top height	Plate thickness	Minimum Tensile strength	Weight per meter
		P mm	d1 max mm	b1 max mm	d2 max mm	L max mm	Lc max mm	H mm	h mm	t/T max mm	Q min KN	q kg/m
24B-1	CS, DT, SS	38,1	25,40	25,40	14,63	53,4	55,4	43	25,5	6/5	178,0	7,10

CS CARBON STEEL  
DT DELTA-TONE  
SS STAINLESS STEEL

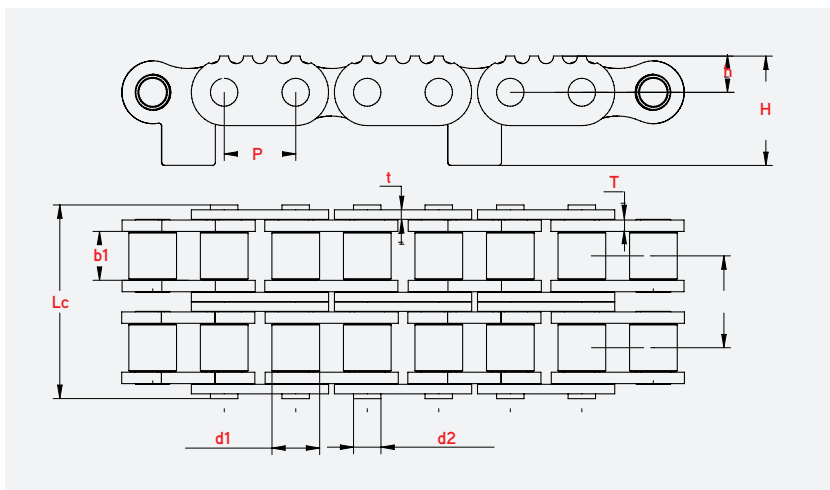


4-Teeth Every Pitch - With below-the-line attachments

ISO SERIES

DIN/ISO No.	Material	Pitch	Roller diameter	width between plates	Pin diameter	Pin length		Inner Plate dept	Chain to top height	Plate thickness	Minimum Tensile strength	Weight per meter
		P mm	d1 max mm	b1 max mm	d2 max mm	L max mm	Lc max mm	H mm	h mm	t/T max mm	Q min KN	q kg/m
24B-1	CS, DT, SS	38,1	25,40	25,40	14,63	53,4	55,4	43	25,5	6/5	178,0	7,10

CS CARBON STEEL  
DT DELTA-TONE  
SS STAINLESS STEEL



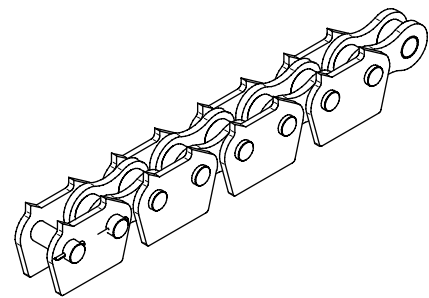
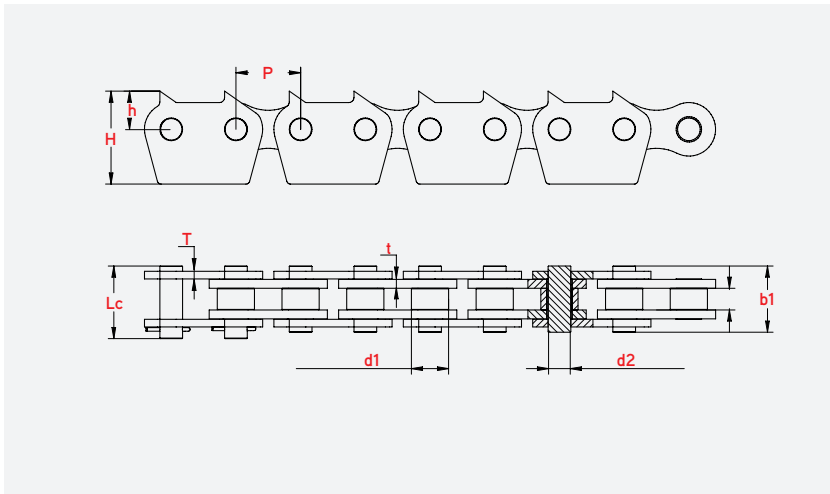
# Roller chains for sawmills ISO Series 2''

## 2-Teeth Every 2nd Pitch

### ISO SERIES

ISO SERIES		Pitch	Roller diameter	width between plates	Pin diameter	Pin length		Inner Plate depth	Chain to top height	Chain to top height	Plate thickness	Minimum Tensile strength	Weight per meter
DIN/ISO No.	Material	P mm	d1 max mm	b1 max mm	d2 max mm	L max mm	Lc max mm	H mm	h mm	h2 mm	t/T max mm	Q min KN	q kg/m
32B-1	CS, DT, SS	50,800	29,21	31,00	17,81	66,00	71,00	72,00	27	42,2	7,00/6,00	277,5	10,25

CS CARBON STEEL  
DT DELTA-TONE  
SS STAINLESS STEEL

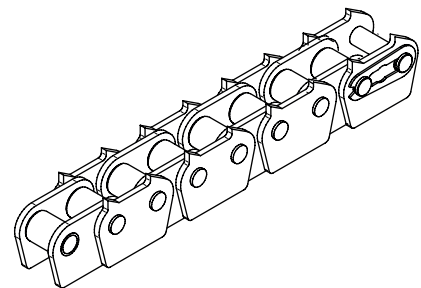
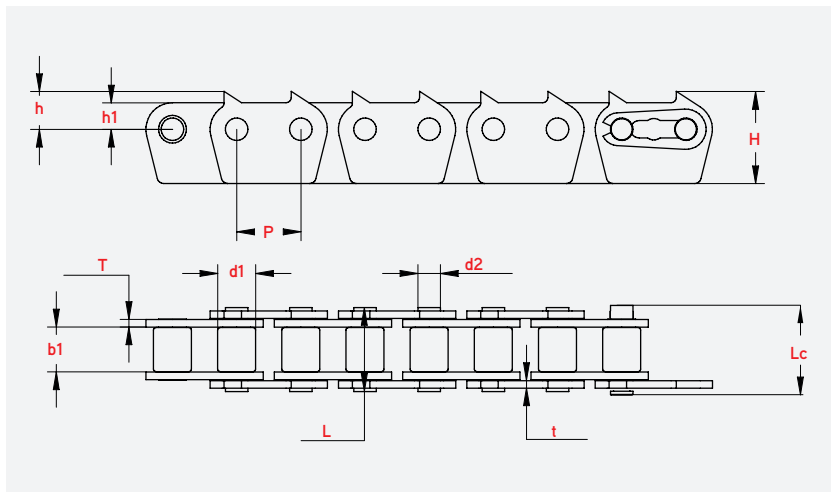


## 2-Teeth Every 2nd Pitch - Enlarged inner width

### ISO SERIES

ISO SERIES		Pitch	Roller diameter	width between plates	Pin diameter	Pin length		Inner Plate depth	Chain to top height	Chain to top height	Plate thickness	Minimum Tensile strength	Weight per meter
DIN/ISO No.	Material	P mm	d1 max mm	b1 max mm	d2 max mm	L max mm	Lc max mm	H mm	h mm	h1 mm	t/T max mm	Q min KN	q kg/m
32B-1	CS, DT, SS	50,800	29,21	33,00	17,81	66,00	71,00	73,00	30	21,00	4,00/3,00	277,5	10,25

CS CARBON STEEL  
DT DELTA-TONE  
SS STAINLESS STEEL





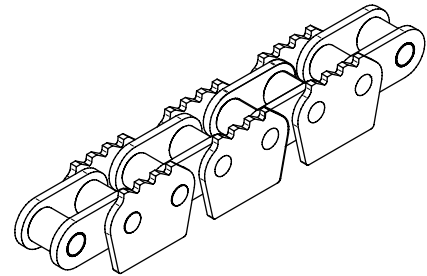
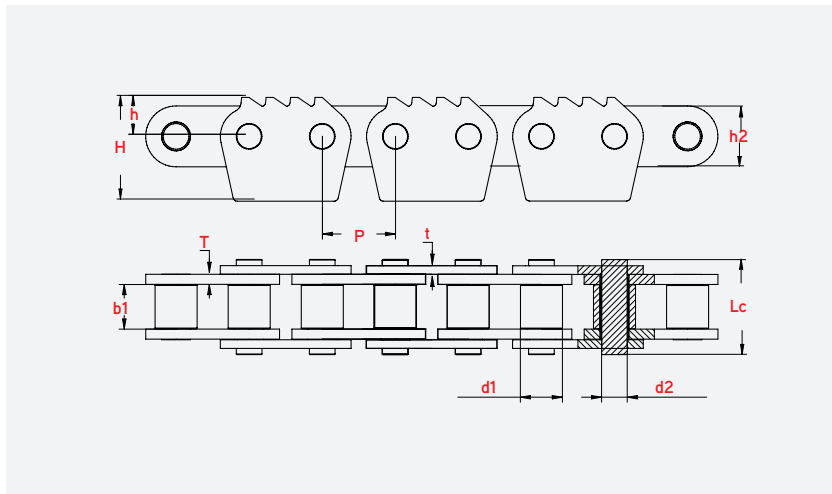
# Roller chains for sawmills ISO Series 2''

4-Teeth Every Pitch

ISO SERIES

DIN/ISO No.	Material	Pitch	Roller diameter	width between plates	Pin diameter	Pin length		Inner Plate depth	Chain to top height	Chain to top height	Plate thickness	Minimum Tensile strength	Weight per meter
		P mm	d1 max mm	b1 max mm	d2 max mm	L max mm	Lc max mm	H mm	h mm	h2 mm	t/T max mm	Q min KN	q kg/m
32B-1	CS, DT, SS	50,800	29,21	31,00	17,81	66,00	71,00	72,00	27	42,2	7,00/6,00	277,5	10,25

CS CARBON STEEL  
DT DELTA-TONE  
SS STAINLESS STEEL



# Roller chains for sawmills ASA Series

4-Teeth Every Pitch - 1"

ISO SERIES

ISO SERIES		Pitch	Roller diameter	width between plates	Pin diameter	Pin length		Inner Plate depth	Chain to top height	Plate thickness	Minimum Tensile strength	Weight per meter
DIN/ISO No.	Material	P mm	d1 max mm	b1 max mm	d2 max mm	L max mm	Lc max mm	H mm	h mm	t/T max mm	Q min KN	q kg/m
16A-1	CS, DT, SS	25,400	15,88	15,75	7,92	30,00	32,70	28,00	16,50	3,25	72,80	3,35

CS CARBON STEEL  
DT DELTA-TONE  
SS STAINLESS STEEL

