



iRIS
chains

www.iris-chains.com

SINCE
1935

Gripper chains

With more than 25 years of experience, our high-performance gripper chains form, fill and vacuum seal plastic film safely and smoothly.

Gripper chains

With more than 25 years of experience, our high-performance gripper chain form, fill and seal vacuum seal plastic safely and smoothly. These high-performance chains are widely accepted by both aftermarket users and OEMs alike. They provide endurance and corrosion resistance, increasing uptime and productivity. Thanks to their improved clamp design, lines run with ease and a wide range of materials is handled in a firm, gentle, and precise manner.

Grip chains with wear-resistant, corrosion-proof clamping elements are used for gripping, pulling and transporting thin-walled materials with large surface areas. Sensitive materials such as plastic film packaging, thin sheet metal, plastics and other hard sheet materials require careful handling to prevent damage during transport, positioning, feeding, pulling in or out, stamping, welding, filling, laminating, cutting, stretching, forming or sealing.

Iris grip chains with clamping elements provide an optimal feed of materials. The special pivoting gripper mechanism ensures high-precision handling and precise positioning of the conveyed material by secure clamping. Variable spring forces allow gentle clamping of a wide variety of materials. Chain and clamping elements are corrosion-protected, wear-resistant and treated with food-grade initial lubricant as standard.

Highlights

- ▶ Double spring under patent, with differing levels of spring force allow an extremely wide range of materials to be gripped gently.
- ▶ Improved clamp design for increased film retention and smooth operation.

INDUSTRIES

Thanks to their high reliability and wear- and corrosion-resistance, gripper chains are ideal for the special requirements of the food industry. Gripper chains are used to convey plastic film in "form, fill and seal" packaging machines.

*Special high quality
food-grade lubrication is
supplied, for higher wear
and corrosion resistance.*



SERVICES

*Pre-stretched and matched strands
for **trouble free machine set-up.***

*Many references **available in stock.***

Chains of any length.

Technical assistance.

IRIS BASE CHAIN OPTIONS

Discover the difference IRIS high-quality base chain makes in your bottom line.

- ▶ **Nickel Plated Chain**
Improved bearing and corrosion resistance
- ▶ **Nickel Plated Autolube Chain**
No relubrication required, lower maintenance costs, increased uptime and productivity
- ▶ **Stainless Steel Chain**
Outstanding corrosion resistance

Gripper chains

PRODUCT RANGE

	STANDARD	OSCILLATORY	HORIZONTAL	BUTTON
SIZES	1/2"	1/2" 5/8"	1/2" 3/4"	5/8"

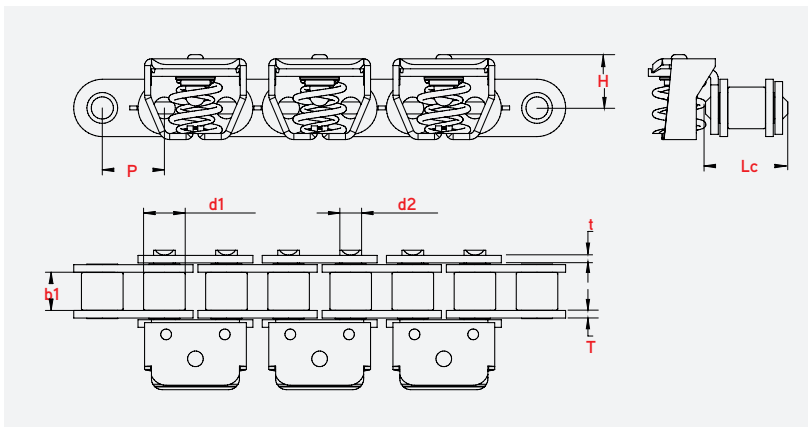
Standard gripper chains ISO 606

The standard clamp opens vertically with a slight side movement to follow the cam shape. Retention force is determined by the conveyed material, considering both standard and hard springs versions are available. Iris-Chains patented double spring feature reduces fatigue and increases durability. Our wear-resistant autolube versions avoid excess-lubrication and regular maintenance-costs.

Single chain 1/2 x 5/16"

DIN/ISO No.	Material			Pitch P mm	width between Plates b1 max mm	Roller diameter d1 max mm	Pin lenght		Pin diameter d2 max mm	Plate depth H2 max mm	Plate thickness T max mm	Clamping force Q mm
	Base chain	Clamp	Spring				L max mm	Lc max mm				
8B-1	NP	SS	SS	12,700	7,8	8,51	16,9	18,1	4,45	11,7	1,55	75
8B-1	NP Autolube	SS	SS	12,700	7,8	8,51	16,9	18,1	4,45	11,7	1,55	75
8B-1	SS	SS	SS	12,700	7,8	8,51	16,9	18,1	4,45	11,7	1,55	75

NP NICKEL-DELTA-TONE
SS STAINLESS STEEL



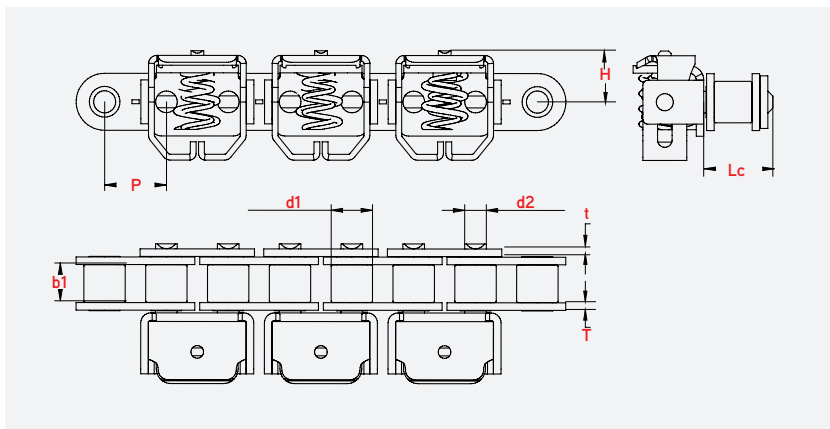
Oscillatory clamp gripper chains ISO 606

The oscillatory clamp allows a vertical movement combined with side rotation to ensure a kick easy film engagement and scrap release. Our improved clamp design increases film retention and smoothes operations. Retention force is determined by the conveyed material. The clamps and springs we provide are always made of stainless steel, special alloy steel. Iris-Chains patented double spring feature reduces fatigue and increases durability. Our wear-resistant autolube versions avoid excess-lubrication and regular maintenance-costs.

Single chain 1/2 x 5/16" or 5/8 x 3/8

DIN/ISO No.	Material			Pitch P mm	width between Plates b1 max mm	Roller diameter d1 max mm	Pin lenght		Pin diameter d2 max mm	Plate depth Hz max mm	Plate thickness T max mm	Clamping force Q mm
	Base chain	Clamp	Spring				L max mm	Lc max mm				
8B-1 OC	NP	SS	SS	12,700	7,8	8,51	16,9	18,1	4,45	11,7	1,55	80
8B-1 OC	NP Autolube	SS	SS	12,700	7,8	8,51	16,9	18,1	4,45	11,7	1,55	80
8B-1 OC	SS	SS	SS	12,700	7,8	8,51	16,9	18,1	4,45	11,7	1,55	80
10B-1 OC	NP	SS	SS	15,875	9,7	10,16	19,2	20,7	5,08	14,25	1,50	80
10B-1 OC	NP Autolube	SS	SS	15,857	9,7	10,16	19,2	20,7	5,08	14,25	1,50	80
10B-1 OC	SS	SS	SS	15,857	9,7	10,16	19,2	20,7	5,08	14,25	1,50	80

NP NICKEL-DELTA-TONE
 SS STAINLESS STEEL



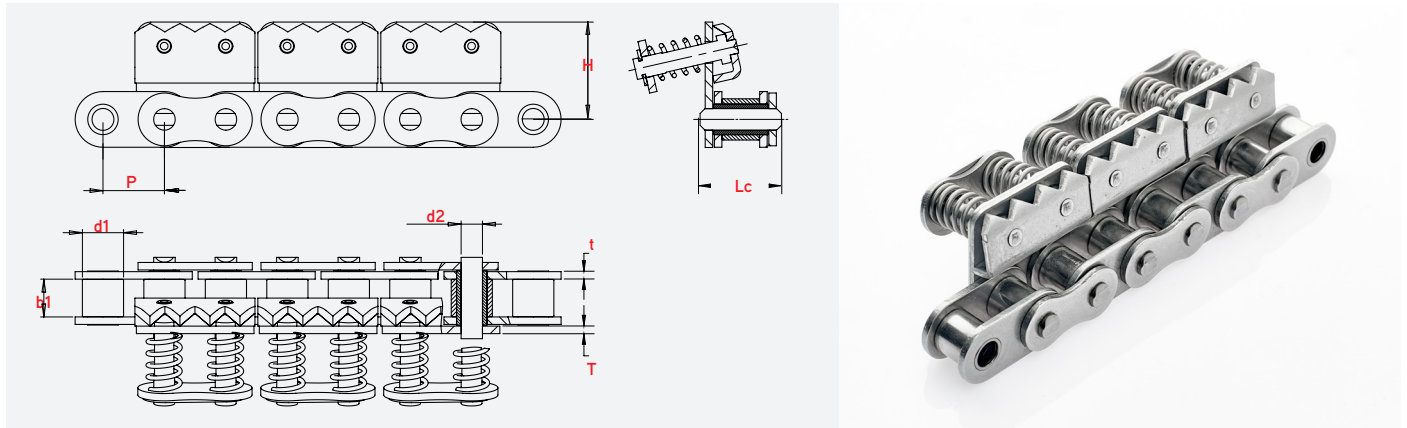
Horizontal clamp gripper chains ISO 606

Two springs of 30N each allows uniform film clamping. Our improved clamp design increases film retention and smoothes operations. Retention force is determined by the conveyed material. The clamps and springs we provide are always made of stainless steel, special alloy steel. Iris-Chains patented double spring feature reduces fatigue and increases durability. Our wear-resistant autolube versions avoid excess-lubrication and regular maintenance-costs.

Single chain 1/2 x 5/16

DIN/ISO No.	Material			Pitch P mm	width between Plates b1 max mm	Roller diameter d1 max mm	Pin lenght		Pin diameter d2 max mm	Plate depth H2 max mm	Plate thickness T max mm	Clamping force Q mm
	Base chain	Clamp	Spring				L max mm	Lc max mm				
8B-1 HC	NP	SS	SS	12,700	8,51	7,7	16,9	18,1	4,45	11,7	1,55	60
8B-1 HC	NP Autolube	SS	SS	12,700	8,51	7,7	16,9	18,1	4,45	11,7	1,55	60
8B-1 HC	SS	SS	SS	12,700	8,51	7,7	16,9	18,1	4,45	11,7	1,55	60

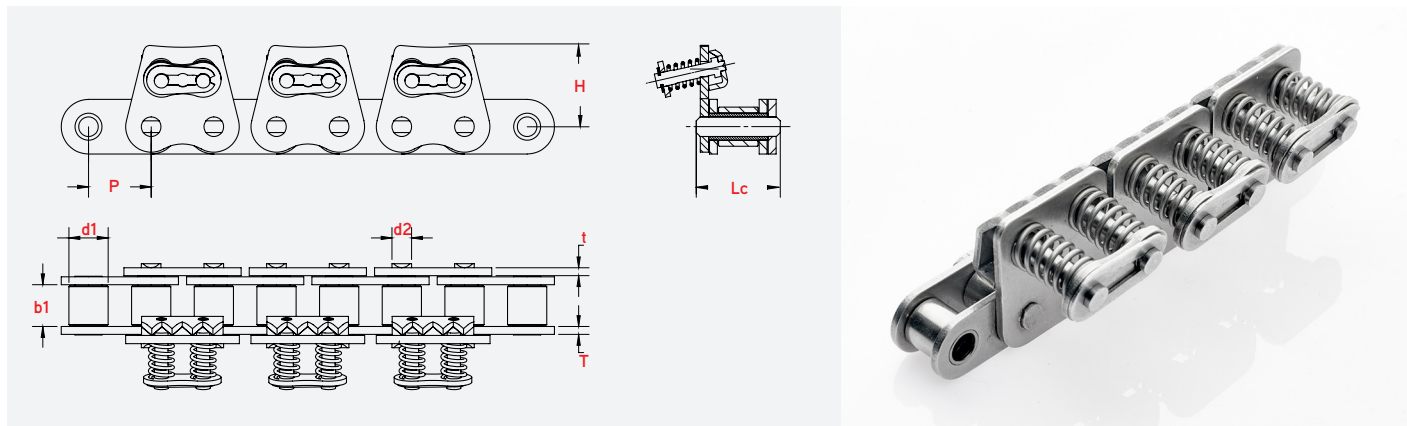
NP NICKEL-DELTA-TONE
SS ACIER INOXYDABLE



Single chain 1/2 x 5/16

DIN/ISO No.	Material			Pitch P mm	width between Plates b1 min mm	Roller diameter d1 max mm	Pin lenght		Pin diameter d2 max mm	Plate depth H2 max mm	Plate thickness T max mm	Clamping force Q mm
	Base chain	Clamp	Spring				L max mm	Lc max mm				
12A-1 HC	NP	SS	SS	19,050	11,68	11,90	25,4	27,3	5,98	16,6	2,5	60
12A-1 HC	NP Autolube	SS	SS	19,050	11,68	11,90	25,4	27,3	5,98	16,6	2,5	60
12A-1 HC	SS	SS	SS	19,050	11,68	11,90	25,4	27,3	5,98	16,6	2,4	60

NP NICKEL-DELTA-TONE
SS STAINLESS STEEL



Button clamp gripper chains ISO 606

The button clamp allows a symmetrical rotation. Retention force is determined by the conveyed material. The clamp does not swivel away outwards when opened. They are available on nickeled plate and stainless steel, as well as the autolube version which avoids excess-lubrication and regular maintenance-costs.

Single chain 5/8 x 3/8" acc. to ISO 606

DIN/ISO No.	Material			Pitch P mm	width between Plates b1 max mm	Roller diameter d1 max mm	Pin lenght		Pin diameter d2 max mm	Plate depth H2 max mm	Plate thickness T max mm	Clamping force Q mm
	Base chain	Clamp	Spring				L max mm	Lc max mm				
10B-1 HC	NP	SS	SS	15,875	9,7	10,16	19,3	21,3	5,08	16,6	2,4	60
10B-1 HC	NP Autolube	SS	SS	15,875	9,7	10,16	19,3	21,3	5,08	16,6	2,4	60
10B-1 HC	SS	SS	SS	15,875	9,7	10,16	19,3	21,3	5,08	16,6	2,4	60

NP NICKEL-DELTA-TONE
 SS STAINLESS STEEL

