



iRIS
chains

www.iris-chains.com

SINCE
1935

Leaf chains and multi-strand chains

Leaf chains are designed to handle heavy loads. Compared to precision roller chains, leaf chains have higher strength ratings suitable for high load and high impact environments

Leaf chains and multi-strand chains

Leaf chains are designed to handle heavy loads. Compared to precision roller chains, leaf chains have higher strength ratings suitable for high load and high impact environments. Widely used for lifting and hoisting purposes, leaf chains are often seen on equipment such as lift trucks, boom trucks, forklifts, automobile parking towers, inter-modal container lifts and freight elevators.

The composition of the leaf chains is simple. Leaf chains are composed of stacks of link plates and pins. The outer links are press-fitted to the pins. Pins are then riveted to secure the press fit and lock the parts in position to prevent the pins from rotating. Centre links are slip-fitted to the pins. The number of link plates varies based on the chain lacing.

All chains are available in delta-tone and stainless steel construction, for outstanding corrosion resistance.

SERVICES

Many references available in stock

Specific product on request

Matched pairs on request for

chains working in parallel

Chains of any length

Technical assistance

Highlights

- ▶ Higher fatigue strength due to optimised press fit of pin and outer plate.
- ▶ Higher tensile strength due to optimised plate strength
- ▶ Higher wear resistance
- ▶ Minimal elongation due to wear and a long service life

Industries

- ▶ Forklift trucks
- ▶ Lifting devices
- ▶ Machine tools
- ▶ Steelmaking industry
- ▶ Container pallet jacks



GENERAL CAUTIONS

- 1 | *Never electroplate an assembled Leaf chain or its components. Plating could result in failure from hydrogen embrittlement.*
- 2 | *Do not attempt to rework damaged chains by only replacing only the components that are clearly faulty. The entire chain may be compromised and should be discarded.*
- 3 | *Welding should not be performed on any chain or component. Welding spatter should never be allowed to come in contact with chain or components.*
- 4 | *Leaf chains are manufactured exclusively from heat-treated steels and, therefore, must not be annealed. If heating a chain with a cutting torch is absolutely necessary for removal, the chain should not be reused.*
- 5 | *Joining chains together should only be done by the chain manufacturer.*
- 6 | *The minimum ultimate strength of a chain means the minimum load at which it will break when subjected to a destructive tensile test. It does not mean working load.*
- 7 | *Chains from different manufacturers should not be used in the same application.*
- 8 | *Use lengths of factory-assembled chain. Do not build lengths from individual components.*



Leaf chains Light Series LL ISO 4347 / DIN 8152

Application: where it is important to have a high ratio between breaking load and weight, and low cost. This series is used in cases where the load applied is essentially static, with infrequent articulations on the pulleys and low speeds.

Most common combinations: 2x2, 4x4, 6x6.

ISO SERIES

DIN/ISO No.	Material	Pitch P mm	Plate lacing d1 max mm	Plate depth h2 max mm	Plate thickness T max mm	Pin diameter d2 max mm	Pin length L max mm	min. Tensile strength Q min KN	Average tensile strength Q ₀ KN	Weight per meter q kg/m	Clevis Pins			min. Tensile strength Stainless steel Q min KN
											d3 mm	L1 mm	x mm	
LL 0822	CS, DT, SS	12,7	2 x 2	10,60	1,60	4,45	8,90	18,6	20,4	0,42	1,6	13,1	6,9	10,77
LL 0844	CS, DT, SS		4 x 4				15,60	37,1	40,7	0,84	1,6	20,1	13,7	21,53
LL 0866	CS, DT, SS		6 x 6				22,00	55,7	60,0	1,24	1,6	27,1	20,5	32,30
LL 0888	CS, DT, SS		8 x 8				28,50	74,3	80,0	1,64	1,6	34,0	27,4	43,07
LL 1022	CS, DT, SS	15,875	2 x 2	13,70	1,60	5,08	9,20	23,2	25,5	0,54	1,6	13,5	7,0	13,43
LL 1044	CS, DT, SS		4 x 4				15,80	46,3	51,0	1,06	1,6	20,1	14,0	26,86
LL 1066	CS, DT, SS		6 x 6				22,10	69,5	76,3	1,57	1,6	27,1	21,0	40,29
LL 1088	CS, DT, SS		8 x 8				28,80	92,6	101,9	2,10	1,6	34,1	28,0	53,72
LL 1222	CS, DT, SS	19,05	2 x 2	16,00	1,85	5,72	10,40	30,1	33,2	0,73	1,6	13,9	7,7	17,45
LL 1244	CS, DT, SS		4 x 4				17,90	60,2	66,4	1,44	1,6	21,7	15,3	34,90
LL 1266	CS, DT, SS		6 x 6				25,40	90,3	99,7	2,15	1,6	29,5	22,9	52,36
LL 1288	CS, DT, SS		8 x 8				32,90	120,4	132,9	2,84	1,6	37,9	31,2	69,81
LL 1622	CS, DT, SS	25,4	2 x 2	21,00	3,10	8,28	17,20	59,2	76,3	1,52	3,2	24,0	13,8	34,31
LL 1644	CS, DT, SS		4 x 4				29,60	118,3	152,6	2,90	3,2	37,0	27,4	68,63
LL 1666	CS, DT, SS		6 x 6				42,40	177,5	228,9	4,30	3,2	50,0	41,0	102,94
LL 1688	CS, DT, SS		8 x 8				54,90	236,6	305,2	5,71	3,2	63,0	54,6	137,25
LL 2022	CS, DT, SS	31,75	2 x 2	26,40	3,70	10,19	20,10	96,9	109,2	2,33	3,2	26,0	15,2	56,20
LL 2044	CS, DT, SS		4 x 4				33,80	193,8	218,5	4,40	3,2	41,0	30,3	112,40
LL 2066	CS, DT, SS		6 x 6				50,10	290,7	324,6	6,79	3,2	56,0	45,2	168,61
LL 2088	CS, DT, SS		8 x 8				64,00	387,6	435,1	8,90	3,2	71,0	60,2	224,81
LL 2422	CS, DT, SS	38,1	2 x 2	33,40	5,00	14,63	28,40	173,4	195,5	4,47	4	34,0	21,7	100,57
LL 2444	CS, DT, SS		4 x 4				46,30	346,8	380,8	8,22	4	56,3	43,2	201,14
LL 2466	CS, DT, SS		6 x 6				66,40	520,2	571,2	12,22	4	77,7	64,5	301,72
LL 2488	CS, DT, SS		8 x 8				86,60	693,6	775,2	16,30	4	99,1	86,0	402,29
LL 2822	CS, DT, SS	44,45	2 x 2	37,08	6,00	15,90	32,20	204,0	245,0	5,40	4	39,4	26,2	118,32
LL 2844	CS, DT, SS		4 x 4				56,40	408,0	490,0	10,53	4	65,2	52,0	236,64
LL 2866	CS, DT, SS		6 x 6				80,80	612,0	735,0	15,68	4	91,0	77,8	354,96
LL 2888	CS, DT, SS		8 x 8				105,20	816,0	980,0	20,83	4	116,4	103,6	473,28
LL 3222	CS, DT, SS	50,8	2 x 2	42,00	6,40	17,81	34,80	265,2	291,2	6,39	5	46,6	27,7	153,82
LL 3244	CS, DT, SS		4 x 4				60,60	530,4	582,4	12,46	5	70,6	54,9	307,63
LL 3266	CS, DT, SS		6 x 6				86,40	795,6	873,6	18,52	5	97,6	82,1	461,45
LL 3288	CS, DT, SS		8 x 8				112,20	1.060,8	1.176,0	24,65	5	124,6	109,3	615,26
LL 4022	CS, DT, SS	63,5	2 x 2	52,76	8,00	22,89	42,20	367,2	403,2	10,36	6,3	54,6	34,5	212,98
LL 4044	CS, DT, SS		4 x 4				74,40	795,6	873,6	20,22	6,3	88,5	68,5	461,45
LL 4066	CS, DT, SS		6 x 6				106,50	1.101,6	1.209,6	30,07	6,3	122,6	102,5	638,93
LL 4088	CS, DT, SS		8 x 8				140,00	1.468,8	1.747,2	39,98	6,3	156,6	136,5	851,90
LL 4822	CS, DT, SS	76,2	2 x 2	63,88	10,00	29,24	54,60	571,2	627,2	15,94				331,30
LL 4844	CS, DT, SS		4 x 4				92,60	1.142,4	1.554,4	31,38				662,59
LL 4866	CS, DT, SS		6 x 6				133,40	1.713,6	1.880,0	46,94				993,89
LL 4888	CS, DT, SS		8 x 8				174,20	2.284,8	2.508,8	62,36				1.325,18

CS CARBON STEEL
DT DELTA-TONE
SS STAINLESS STEEL

Leaf chains Heavy Series BL ISO 4347 / DIN 8152

Application: where higher fatigue and wear resistance are required.

Most common combinations: 2x3, 3x4, 4x6.

ISO SERIES

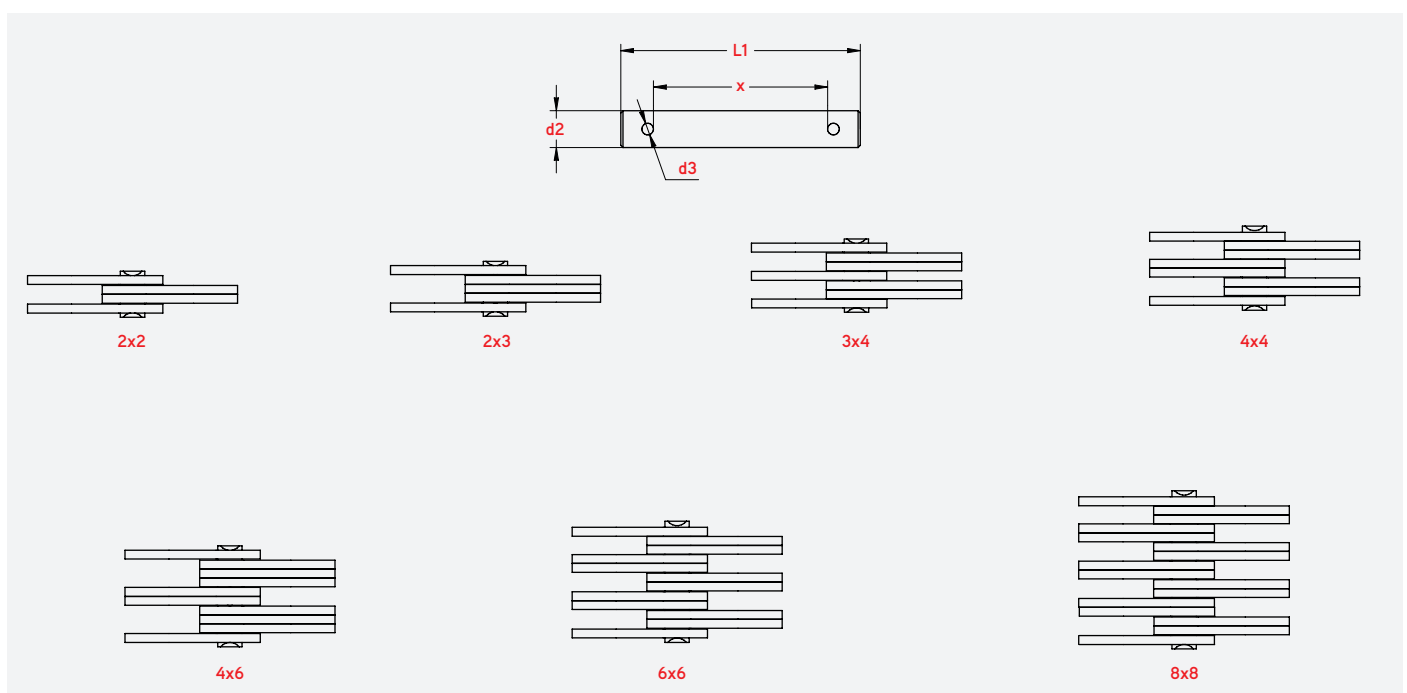
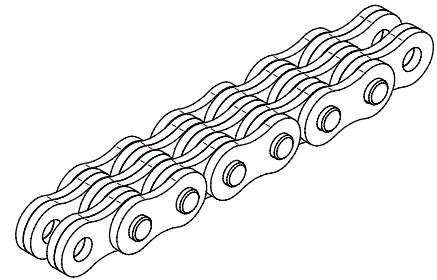
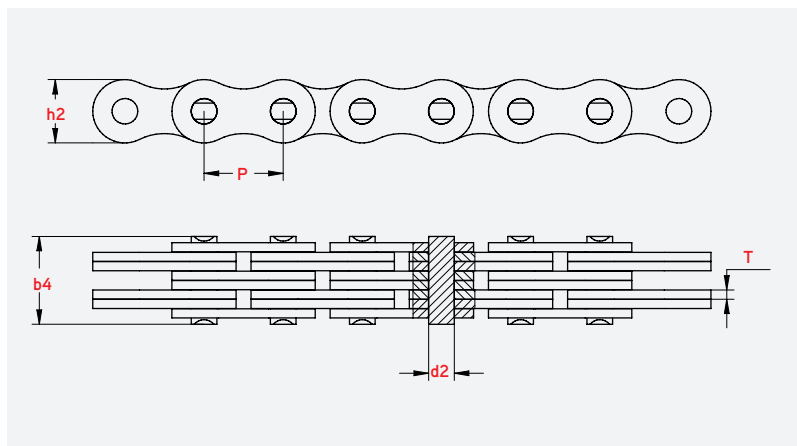
ISO SERIES			Pitch	Plate lacing	Plate depth	Plate thickness	Pin diameter	Pin length	min. Tensile strength	Average tensile strength	Weight per meter	Clevis Pins			min. Tensile strength Stainless steel
DIN/ISO No.	ANSI No.	Material	P mm	d1 max mm	h2 max mm	T max mm	d2 max mm	L max mm	Q min KN	Qo KN	q kg/m	d3 mm	L1 mm	x mm	Q min KN
LH0822	BL 422	CS, DT, SS	12,7	2 x 2	12,07	2,03	5,09	11,05	22,6	27,6	0,60	1,6	14,8	8,8	113,13
LH0823	BL 423	CS, DT, SS		2 x 3				13,16	22,6	27,6	0,75	1,6	17,0	11,0	13,13
LH0834	BL 434	CS, DT, SS		3 x 4				17,40	34,1	41,4	1,05	1,6	21,4	15,4	19,76
LH0844	BL 444	CS, DT, SS		4 x 4				19,51	45,4	56,0	1,20	1,6	23,5	17,5	26,33
LH0846	BL 446	CS, DT, SS		4 x 6				23,75	45,4	56,0	1,46	1,6	29,9	21,9	26,33
LH0866	BL 466	CS, DT, SS		6 x 6				27,99	68,0	81,7	1,77	1,6	32,3	26,3	39,46
LH0888	BL 488	CS, DT, SS		8 x 8				36,45	90,8	109,4	2,32	1,6	41,8	35,5	52,65
LH1022	BL 522	CS, DT, SS		15,875				2 x 2	15,09	2,42	5,96	12,90	34,1	43,1	0,90
LH1023	BL 523	CS, DT, SS	2 x 3		15,37	34,1	43,1	1,10				2	20,3	13,1	19,76
LH1034	BL 534	CS, DT, SS	3 x 4		20,32	49,9	65,6	1,50				2	25,5	18,3	28,93
LH1044	BL 544	CS, DT, SS	4 x 4		22,78	68,0	84,5	1,80				2	28,0	20,9	39,46
LH1046	BL 546	CS, DT, SS	4 x 6		27,74	68,0	84,5	2,20				2	33,2	26,0	39,46
LH1066	BL 566	CS, DT, SS	6 x 6		32,69	102,1	125,1	2,65				2	38,5	31,2	59,22
LH1088	BL 588	CS, DT, SS	8 x 8		42,57	136,1	169,5	3,50				2	48,8	41,7	78,92
LH1222	BL 622	CS, DT, SS	19,05		2 x 2	18,11	3,25	7,94				17,37	49,9	68,2	1,50
LH1223	BL 623	CS, DT, SS		2 x 3	20,73				49,9	68,2	1,80	3,2	28,5	17,7	28,93
LH1234	BL 634	CS, DT, SS		3 x 4	27,43				77,1	102,8	2,50	3,2	35,5	24,7	44,72
LH1244	BL 644	CS, DT, SS		4 x 4	30,78				99,9	136,9	2,90	3,2	38,8	28,3	57,92
LH1246	BL 646	CS, DT, SS		4 x 6	37,49				99,9	136,9	3,60	3,2	46,0	35,2	57,92
LH1266	BL 666	CS, DT, SS		6 x 6	44,20				149,7	214,2	4,30	3,2	52,8	42,5	86,85
LH1288	BL 688	CS, DT, SS		8 x 8	57,61				199,6	217,7	5,80	3,2	66,8	56,6	115,78
LH1622	BL 822	CS, DT, SS		25,4	2 x 2				24,13	4,00	9,54	21,34	86,2	108,2	2,40
LH1623	BL 823	CS, DT, SS	2 x 3		25,48	86,2	108,2	3,00				3,2	32,9	22,1	49,99
LH1634	BL 834	CS, DT, SS	3 x 4		33,76	131,6	170,0	4,20				3,2	41,7	30,8	76,32
LH1644	BL 844	CS, DT, SS	4 x 4		37,90	172,4	214,6	4,80				3,2	47,7	37,0	99,98
LH1646	BL 846	CS, DT, SS	4 x 6		46,18	172,4	214,6	6,00				3,2	54,8	43,8	99,98
LH1666	BL 866	CS, DT, SS	6 x 6		54,46	258,7	324,5	7,20				3,2	63,3	52,4	150,03
LH1688	BL 888	CS, DT, SS	8 x 8		71,02	344,9	432,7	9,60				3,2	81,2	69,9	200,02
LH2022	BL 1022	CS, DT, SS	31,75		2 x 2	30,18	4,80	11,11				25,37	117,9	165,8	3,57
LH2023	BL 1023	CS, DT, SS		2 x 3	30,33				117,9	165,8	4,45	3,2	37,0	26,1	68,39
LH2034	BL 1034	CS, DT, SS		3 x 4	40,23				186,0	248,7	6,19	3,2	47,2	35,5	107,91
LH2044	BL 1044	CS, DT, SS		4 x 4	45,19				235,9	303,6	7,04	3,2	39,9	52,0	136,84
LH2046	BL 1046	CS, DT, SS		4 x 6	55,09				235,9	303,6	8,77	3,2	63,0	50,2	136,84
LH2066	BL 1066	CS, DT, SS		6 x 6	65,00				353,9	433,7	10,50	3,2	71,4	59,3	205,29
LH2088	BL 1088	CS, DT, SS		8 x 8	84,81				471,9	604,1	14,00	3,2	92,4	79,9	273,67
LH2422	BL 1222	CS, DT, SS		38,10	2 x 2				36,20	5,60	12,71	29,62	154,2	192,0	4,96
LH2423	BL 1223	CS, DT, SS	2 x 3		35,43	154,2	192,0	6,16				4	41,8	30,0	89,45
LH2434	BL 1234	CS, DT, SS	3 x 4		47,07	249,5	315,9	8,55				4	54,8	41,8	144,71
LH2444	BL 1244	CS, DT, SS	4 x 4		52,88	308,6	381,1	9,76				4	60,0	46,3	178,96
LH2446	BL 1246	CS, DT, SS	4 x 6		64,52	308,6	381,1	12,16				4	72,8	59,3	178,96
LH2466	BL 1266	S, DT, SS	6 x 6		76,15	462,8	543,8	14,61				4	86,1	79,9	268,41
LH2488	BL 1288	CS, DT, SS	8 x 8		99,42	617,1	726,0	19,36				4	111,1	98,6	357,92
LH2822	BL 1422	CS, DT, SS	44,45		2 x 2	42,24	6,40	14,29				33,55	195,1	225,7	6,89
LH2823	BL 1423	CS, DT, SS		2 x 3	40,16				195,1	225,7	8,55	4	46,9	33,9	113,17
LH2834	BL 1434	CS, DT, SS		3 x 4	53,37				322,1	372,6	11,61	4	60,3	46,9	186,83
LH2844	BL 1444	CS, DT, SS		4 x 4	59,97				390,3	451,2	13,24	4	71,1	58,6	226,35
LH2846	BL 1446	CS, DT, SS		4 x 6	73,18				390,3	451,2	16,81	4	80,2	67,1	226,35
LH2866	BL 1466	CS, DT, SS		6 x 6	86,39				589,9	682,4	19,79	4	97,7	85,1	342,12
LH2888	BL 1488	CS, DT, SS		8 x 8	112,80				780,4	902,8	26,35	4	121,6	108,6	452,63

Leaf chains Heavy Series BL ISO 4347 / DIN 8152

ISO SERIES

DIN/ISO No.	ANSI No.	Material	Pitch	Plate lacing	Plate depth	Plate thickness	Pin diameter	Pin length	min. Tensile strength	Average tensile strength	Weight per meter	Clevis Pins			min. Tensile strength Stainless steel
			P mm	d1 max mm	h2 max mm	T max mm	d2 max mm	L max mm	Q min KN	Qo KN	q kg/m	d3 mm	L1 mm	x mm	Q min KN
LH3222	BL 1622	CS, DT, SS	50,8	2 x 2	48,26	7,20	17,46	39,01	294,9	341,1	8,78	5	42,1	35,3	171,03
LH3223	BL 1623	CS, DT, SS		2 x 3				46,58	294,9	341,1	10,90	5	51,3	37,6	171,03
LH3234	BL 1634	CS, DT, SS		3 x 4				61,72	449,2	519,6	15,15	5	66,5	52,8	260,54
LH3244	BL 1644	CS, DT, SS		4 x 4				69,29	585,3	680,4	17,27	5	82,9	65,7	339,46
LH3246	BL 1646	CS, DT, SS		4 x 6				84,43	589,9	680,4	21,53	5	89,0	75,3	342,12
LH3266	BL 1666	CS, DT, SS		6 x 6				99,57	874,5	1.000,7	25,88	5	112,2	94,6	507,24
LH3288	BL 1688	CS, DT, SS		8 x 8				129,84	1.179,6	1.364,6	34,29	5	141,6	124,0	684,19
LH4022	BL 2022	CS, DT, SS	63,5	2 x 2	60,33	9,91	23,81	51,74	442,4	511,7	15,95	6,2	62,2	40,0	256,58
LH4023	BL 2023	CS, DT, SS		2 x 3				61,70	442,4	511,7	19,78	6,2	71,6	49,4	256,58
LH4034	BL 2034	CS, DT, SS		3 x 4				81,61	662,4	766,2	27,46	6,2	88,4	62,5	384,19
LH4044	BL 2044	CS, DT, SS		4 x 4				91,57	884,7	1.023,5	31,34	6,2	101,0	78,8	513,15
LH4046	BL 2046	CS, DT, SS		4 x 6				111,48	884,7	1.023,5	39,01	6,2	120,9	98,7	513,15
LH4066	BL 2066	CS, DT, SS		6 x 6				131,39	1.327,1	1.535,2	46,63	6,2	143,3	120,6	769,73
LH4088	BL 2088	CS, DT, SS		8 x 8				171,22	1.769,5	2.046,5	62,00	6,2	182,5	157,2	1.026,31

CS CARBON STEEL
DT DELTA-TONE
SS STAINLESS STEEL



Leaf chains Series AL

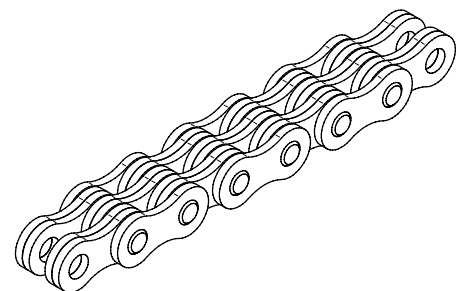
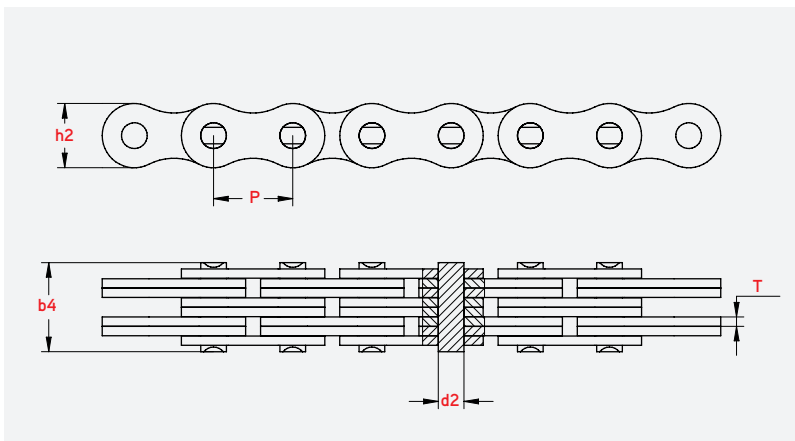
Application: where the load can be considered to be almost static and joint wear presents no problem.

Most common combinations: 2x2, 4x4, 6x6.

ASA SERIES

ANSI No.	Material	Pitch	Plate lacing	Plate depth	Plate thickness	Pin diameter	Pin length	min. Tensile strength	Average tensile strength	Weight per meter	Clevis Pins			min. Tensile strength Stainless steel
		P mm	d1 max mm	h2 max mm	T max mm	d2 max mm	L max mm	Q min KN	Qo KN	q kg/m	d3 mm	L1 mm	x mm	Q min KN
AL 322	CS, DT, SS	9,525	2 x 2	7,7	1,3	3,58	6,80	9,2	10,2	0,23	1,2	11,4	6,4	5,32
AL 332	CS, DT, SS		3 x 2				11,5	12,8	0,3	1,2	12,7	7,7	6,66	
AL 344	CS, DT, SS		4 x 4				11,60	18,4	20,0	0,46	1,2	17,7	12,7	10,65
AL 366	CS, DT, SS		6 x 6				17,60	27,5	30,0	0,6	1,2	24,0	19,0	15,97
AL 422	CS, DT, SS	12,7	2 x 2	10,40	1,50	3,96	8,30	14,4	16,9	0,39	1,6	12,8	6,5	8,34
AL 444	CS, DT, SS		4 x 4				14,40	28,8	35,2	0,74	1,6	19,4	12,9	16,68
AL 466	CS, DT, SS		6 x 6				20,50	43,1	52,7	1,13	1,6	26,0	19,3	25,02
AL 522	CS, DT, SS	15,875	2 x 2	12,80	2,03	5,08	11,05	22,4	28,6	0,64	1,6	14,6	8,5	13,02
AL 534	CS, DT, SS		3 x 4				17,00	33,7	46,0	1,10	1,6	21,0	15,1	19,52
AL 544	CS, DT, SS		4 x 4				19,40	44,9	62,4	1,25	1,6	23,1	16,8	26,03
AL 566	CS, DT, SS		6 x 6				27,50	67,3	93,8	1,79	1,6	31,6	25,0	39,05
AL 588	CS, DT, SS		8 x 8					89,8	110,0	2,39	1,6	45,4	36,6	52,06
AL 622	CS, DT, SS	19,05	2 x 2	15,60	2,42	5,94	13,00	37,7	44,4	0,87	2	19,4	12,8	21,89
AL 644	CS, DT, SS		4 x 4				22,70	65,0	78,8	1,70	2	27,3	21,3	37,68
AL 666	CS, DT, SS		6 x 6				32,20	102,1	118,6	2,53	2	37,7	31,9	59,22
AL 688	CS, DT, SS		8 x 8				42,20	136,1	156,6	3,37	2	49,3	42,5	78,92
AL 822	CS, DT, SS	25,4	2 x 2	20,80	3,25	7,92	16,00	57,8	68,6	1,57	3,2	24,2	13,6	33,54
AL 844	CS, DT, SS		4 x 4				29,40	115,7	135,6	3,08	3,2	37,4	26,6	67,09
AL 866	CS, DT, SS		6 x 6				44,20	173,4	202,3	4,62	3,2	50,6	39,8	100,57
AL 888	CS, DT, SS		8 x 8				55,50	231,2	245,0	6,12	3,2	68,2	54,0	134,10
AL 1022	CS, DT, SS	31,75	2 x 2	25,60	4,00	9,53	19,60	90,3	107,1	2,51	3,2	28,8	18,3	52,36
AL 1044	CS, DT, SS		4 x 4				36,40	180,5	203,6	4,95	3,2	45,6	34,8	104,71
AL 1066	CS, DT, SS		6 x 6				52,30	270,3	315,3	7,39	3,2	63,7	52,2	156,77
AL 1088	CS, DT, SS		8 x 8				68,50	361,1	421,2	9,83	3,2	80,3	69,0	209,43
AL 1222	CS, DT, SS	38,1	2 x 2	30,50	4,80	11,10	24,30	129,5	151,1	3,65	4	34,4	21,1	75,13
AL 1244	CS, DT, SS		4 x 4				43,80	259,1	299,7	7,05	4	55,0	41,4	150,27
AL 1266	CS, DT, SS		6 x 6				63,20	388,6	426,3	10,50	4	75,7	62,0	225,40
AL 1288	CS, DT, SS		8 x 8				82,60	518,2	568,4	14,03	4	92,4	79,9	300,53
AL 1444	CS, DT, SS	44,45	4 x 4	36,40	5,60	12,70	51,30	380,2	413,6	9,80	4	61,2	48,0	220,49
AL 1466	CS, DT, SS		6 x 6				74,50	570,2	620,4	14,66	4	85,1	71,9	330,70
AL 1644	CS, DT, SS	50,8	4 x 4	41,60	6,40	14,21	58,00	480,4	522,8	12,90	4	71,7	55,5	278,64
AL 1666	CS, DT, SS		6 x 6				83,80	720,1	783,6	19,27	4	98,6	83,0	417,67
AL 1688	CS, DT, SS		8 x 8				109,50	960,8	1.045,5	25,64	4	126,9	111,6	557,29

CS CARBON STEEL
DT DELTA-TONE
SS STAINLESS STEEL



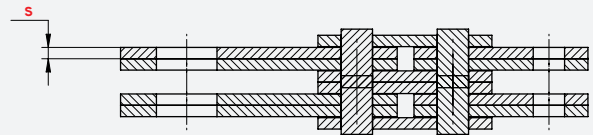
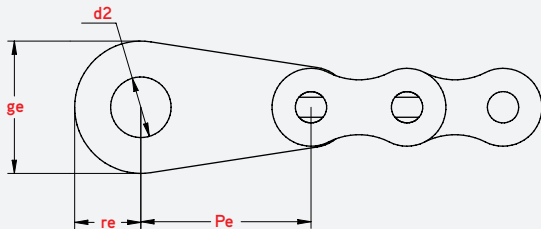
Pear drop end links for leaf chains

ISO SERIES

DIN/ISO No.	pe mm	d2 mm	ge mm	s max mm	re KN
LL 0822	15	6	16	1,6	10
LL 0844	15	6	16	1,6	10
LL 0866	15	6	16	1,6	10
LL 0888	15	6	16	1,6	10
LL 1022	20	8	18	1,6	11
LL 1044	20	8	18	1,6	11
LL 1066	20	8	18	1,6	11
LL 1088	20	8	18	1,6	11
LL 1222	30	10	20	1,9	12
LL 1244	30	10	20	1,9	12
LL 1266	30	10	20	1,9	12
LL 1288	30	10	20	1,9	12
LL 1622	30	12	25	3	15
LL 1644	30	12	25	3	15
LL 1666	30	12	25	3	15
LL 1688	30	12	25	3	15
LL 2022	50	18	40	3,5	25
LL 2044	50	18	40	3,5	25

ISO SERIES

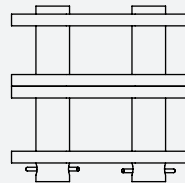
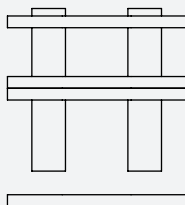
DIN/ISO No.	pe mm	d2 mm	ge mm	s max mm	re KN
LL 2066	50	18	40	3,5	25
LL 2088	50	18	40	3,5	25
LL 2422	65	24	50	5	29
LL 2444	65	24	50	5	29
LL 2466	65	24	50	5	29
LL 2488	65	24	50	5	29
LL 2822	80	28	60	6	32
LL 2844	80	28	60	6	32
LL 2866	80	28	60	6	32
LL 2888	80	28	60	6	32
LL 3222	90	32	70	6,3	43
LL 3244	90	32	70	6,3	43
LL 3266	90	32	70	6,3	43
LL 3288	90	32	70	6,3	43
LL 4022	100	38	80	8	46,5
LL 4044	100	38	80	8	46,5
LL 4066	100	38	80	8	46,5
LL 4088	100	38	80	8	46,5



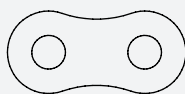
Connection with clevis

1. When an inner link is used for the end, a clevis pin is normally supplied by the clevis manufacturer.

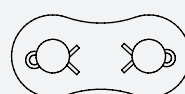
2. When an outer link is used for the end, the press fit of the outer link provides the most integrity.



Clevis pins



Press fit and rivet outer link



Clevis connector

Bush chain Series DIN 8164

Bush chains are similar to ISO 606 roller chains, although they feature no rollers. Thanks to their robustness, bush chains are employed mainly for applications in rough environments, such as mining facilities and construction sites.

They adapt to demanding levels of temperature of humidity, working in premises where belt drives can not be used.

SERVICES

Many references available in stock.

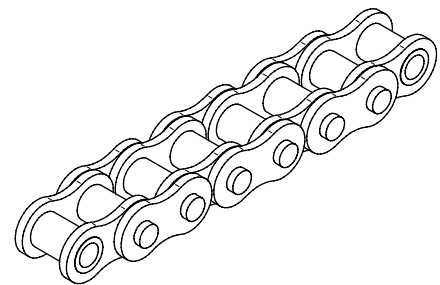
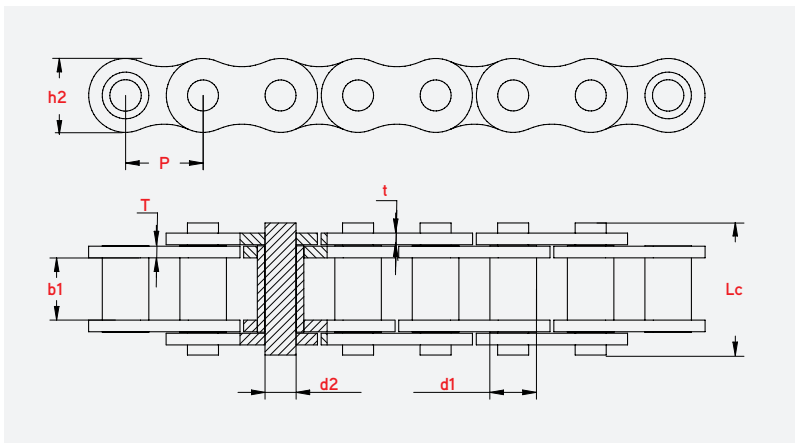
Corrosion-resistant versions available.

Specific product on request.

Technical assistance.

DIN/ISO No.	Material	Pitch	Roller diameter	Width between plates	Pin diameter	Pin length		Inner Plate depth	Plate thickness	Minimum Tensile strength	Weight per meter
		P mm	d1 max mm	b1 min mm	d2 max mm	L max mm	Lc max mm	h2 max mm	t/T max mm	Q min KN	q kg/m
BC-15	CS, DT, SS	15,000	6,00	14,00	9,00	26,00	30,00	14,00	2,00	12,50	1,25
BC-20	CS, DT, SS	20,000	8,00	16,00	12,00	33,00	39,00	19,00	3,00	25,00	2,10
BC-25	CS, DT, SS	25,000	10,00	18,00	15,00	37,00	44,00	24,00	3,00	31,50	2,60
BC-30	CS, DT, SS	30,000	11,00	20,00	17,00	43,00	50,00	28,00	4,00	40,00	4,00
BC-35	CS, DT, SS	35,000	12,00	22,00	18,00	45,00	55,00	30,00	4,00	50,00	4,30
BC-40	CS, DT, SS	40,000	14,00	26,00	20,00	53,00	62,00	35,00	5,00	63,00	5,50
BC-45	CS, DT, SS	45,000	16,00	30,00	22,00	62,00	71,00	40,00	6,00	80,00	7,60
BC-50	CS, DT, SS	50,000	18,00	35,00	26,00	67,00	80,00	44,00	6,00	100,00	9,00
BC-55	CS, DT, SS	55,000	20,00	45,00	30,00	86,00	100,00	49,00	8,00	125,00	13,60
BC-60	CS, DT, SS	60,000	22,00	50,00	32,00	92,00	105,00	55,00	8,00	160,00	14,90
BC-65	CS, DT, SS	65,000	26,00	55,00	36,00	98,00	114,00	61,00	8,00	200,00	18,90
BC-70	CS, DT, SS	70,000	30,00	65,00	42,00	117,00	131,00	67,00	10,00	250,00	24,70

CS CARBON STEEL
DT DELTA-TONE
SS STAINLESS STEEL



Galle chains Series

Designed to provide lifting solutions, IRIS Galle chains are strong and reliable, providing guaranteed operation even under high mechanical stress and hostile environments.

Galle chains are applied in many hoisting constructions, such as locks, slipways, upward pressure damming constructions and cranes. They are used for the transfer of high traction force with low peripheral speeds, no higher than 0.3 m/s. These chains can be made of stainless steel for application in water.

The range of IRIS lifting chains comprises numerous products, both standard and customised such as Galle chains for sluice gates and dams.

SERVICES

Many references available in stock.

Corrosion-resistant versions available.

Specific product on request.

Matched pairs on request
for chains working in parallel.

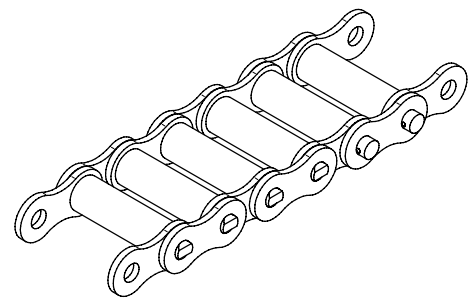
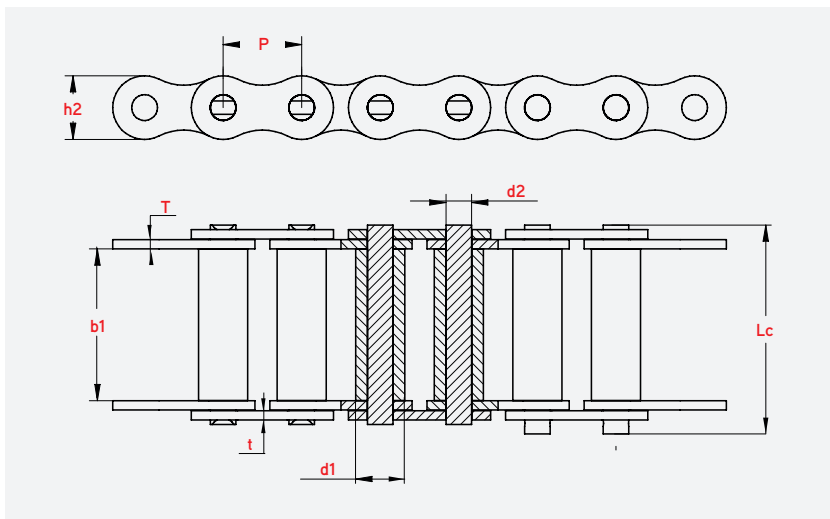
Chains of any length.

Technical assistance.

ISO SERIES

		Pitch	Roller diameter	width between plates	Pin diameter	Pin length		Inner Plate depth	Plate thickness	Minimum Tensile strength
DIN/ISO No.	Material	P mm	d1 max mm	b1 max mm	d2 max mm	L max mm	Lc max mm	h2 max mm	t/T max mm	Q min KN
08B-1	CS, NP, DT, SS	12,700	8,51	21,50	4,45	30,00	31,50	10,60	1,50	18,20
10B-1	CS, NP, DT, SS	15,875	10,16	26,40	5,08	36,10	37,50	13,70	1,60	22,70
12B-1	CS, NP, DT, SS	19,050	12,07	32,00	5,72	42,00	43,70	16,00	1,85	29,50
16B-1	CS, NP, DT, SS	25,400	15,88	49,10	8,28	64,50	67,50	21,00	3,00	58,00

- CS** CARBON STEEL
- DT** DELTA-TONE
- NP** NICKELLED PLATED
- SS** STAINLESS STEEL



Galle chains without washers DIN 8150

Galle chains without washers are made for applications where there is a high tensile strength transmission and a low circumferential speed, such as lifting devices, elevators and escalators, or sluice gates.

ISO SERIES

ISO SERIES		Pitch	Roller diameter	width between plates	Plate depth	Plate thickness	Pin diameter	Pin length		Minimum Tensile strength	Weight per meter
DIN/ISO No.	Material	P mm	d1 max mm	b1 max mm	h2 max mm	T max mm	d2 max mm	L max mm	Lc max mm	Q min KN	q kg/m
DG 25	CS, DT, SS	25	10	18	18	3	8	36	42	25,0	1,75
DG 25 K*	CS, DT, SS	25	10	18	18	3	8	36	42	50,0	1,75
DG 30	CS, DT, SS	30	11	20	20	3	9	51	58	40,0	3,40
DG 30 K*	CS, DT, SS	30	11	20	20	3	9	51	58	70,0	3,40
DG 35	CS, DT, SS	35	12	22	26	3	10	53	61	60,0	4,50
DG 35 K*	CS, DT, SS	35	12	22	26	3	10	53	61	90,0	4,50
DG 40	CS, DT, SS	40	14	25	30	3	12	58	66	80,0	4,70
DG 40 K*	CS, DT, SS	40	14	25	30	3	12	58	66	110,0	4,70
DG 45	CS, DT, SS	45	17	30	35	3	14	63	70	100,0	6,40
DG 45 K*	CS, DT, SS	45	17	30	35	3	14	63	70	140,0	6,40

*Heat treated components

- CS CARBON STEEL
- DT DELTA-TONE
- SS STAINLESS STEEL

